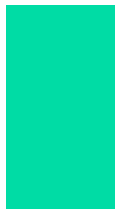
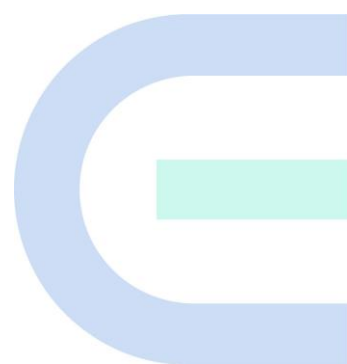


RG-ES126S-P V2 Switch

Hardware Installation and Reference Guide



Copyright

Copyright © 2024 Ruijie Networks

All rights are reserved in this document and this statement.

Any reproduction, excerpt, backup, modification, transmission, translation or commercial use of this document or any portion of this document, in any form or by any means, without the prior written consent of Ruijie Networks is prohibited.

Trademarks including  are owned by Ruijie Networks.

All other trademarks or registered trademarks mentioned in this document are owned by their respective owners.

Disclaimer

The products, services, or features you purchase are subject to commercial contracts and terms. Some or all of the products, services or features described in this document may not be within the scope of your purchase or use. Unless otherwise agreed in the contract, Ruijie Networks does not make any express or implied statement or guarantee for the content of this document.

Due to product version upgrades or other reasons, the content of this document will be updated from time to time. Ruijie Networks reserves the right to modify the content of the document without any notice or prompt.

This manual is for reference only. Ruijie Networks endeavors to ensure content accuracy and will not shoulder any responsibility for losses and damages caused due to content omissions, inaccuracies or errors.

Preface

Intended Audience

This document is intended for:

- Network engineers
- Technical support and servicing engineers
- Network administrators

Technical Support

- Official website of Ruijie Reeye: <https://www.ruijienetworks.com/products/reeye>
- Technical Support Website: <https://ruijienetworks.com/support>
- Case Portal: <https://caseportal.ruijienetworks.com>
- Community: <https://community.ruijienetworks.com>
- Technical Support Email: service_rj@ruijienetworks.com

Conventions

1. Signs

The signs used in this document are described as follows:

Danger

An alert that calls attention to safety operation instructions that if not understood or followed when operating the device can result in physical injury.

Warning

An alert that calls attention to important rules and information that if not understood or followed can result in data loss or equipment damage.

Caution

An alert that calls attention to essential information that if not understood or followed can result in function failure or performance degradation.

Note

An alert that contains additional or supplementary information that if not understood or followed will not lead to serious consequences.

Specification

An alert that contains a description of product or version support.

2. Note

This manual provides the device installation steps, hardware troubleshooting, module technical specifications, and specifications and usage guidelines for cables and connectors. It is intended for the users who have some experience in installing and maintaining network hardware. At the same time, it is assumed that the users are already familiar with the related terms and concepts.

Contents

Preface	1
1 Product Overview	1
1.1 Package Contents.....	1
1.2 Product Appearance	2
1.2.1 Front Panel.....	2
1.2.2 Rear Panel	4
1.3 Technical Specifications	4
1.4 Cooling	6
2 Preparing for Installation	7
2.1 Safety Precautions.....	7
2.1.1 General Safety Precautions.....	7
2.1.2 Handling Safety.....	7
2.1.3 Electric Safety	7
2.1.4 Electrostatic Discharge Safety.....	8
2.2 Installation Environment Requirements.....	8
2.2.1 Bearing Requirements	8
2.2.2 Ventilation Requirements.....	9
2.2.3 Space Requirements	9
2.2.4 Temperature/Humidity Requirements	9
2.2.5 Cleanliness Requirements.....	9
2.2.6 Grounding Requirements.....	10

2.2.7 Anti-interference Requirements	11
2.2.8 Lightning Protection Requirements	11
2.2.9 Installation Site Requirement.....	11
2.3 Rack Installation Requirements	11
2.4 Tools	12
3 Installing the Switch	13
3.1 Before You Begin.....	13
3.2 Precautions	13
3.3 Mounting the Switch	13
3.3.1 Rack Installation Requirements.....	14
3.3.2 Mounting the Switch in a Rack	14
3.3.3 Mounting the Switch on a Workbench	15
3.4 Grounding the Switch	15
3.5 Connecting the Cables	15
3.6 Checking after Installation	15
4 Verifying Operating Status	17
4.1 Powering on the Switch	17
4.1.1 Checklist before Power-on.....	17
4.1.2 Checklist after Power-on.....	17
5 Appendix.....	18
5.1 Connectors and Media.....	18
5.2 Mini-GBIC and SFP Modules.....	20
5.3 Lightning Protection	21
5.3.1 Installing AC Power Arrester (lightning protection cable row)	21

5.3.2 Installing the Ethernet Port Arrester.....22

1 Product Overview

RG-ES126S-P V2 is a PoE switch with high performance and multiple working modes. The switch provides 24 10/100 Mbps self-adaptive Ethernet RJ45 ports, one 10/100/1000 Mbps self-adaptive Ethernet RJ45 port, and one GE combo port. All ports have line-rate forwarding performance, contributing to greater network flexibility. Featuring highly-integrated design and easy operation, the device is applicable for security monitoring and Wi-Fi hotspots arrangement. RG-ES126S-P V2 offers a simple, economical, standard, and high-performance network solution to improve work efficiency. The LEDs on the front panel help you to check the operating status of the switch and diagnose the network faults.

Compliant with IEEE 802.3at and backward compatible with IEEE 802.3af, the 24 100M Ethernet RJ45 ports support PoE power supply. Serving as a PoE device, the switch can automatically identify the powered devices compliant with the standard and supply power for such devices through Ethernet cables. The switch works in standard mode, flow control off mode or VLAN mode. You can switch the working mode by toggling the DIP switch on the front panel. The multiple modes of the switch allow you to expand the home network and office network without being limited by the electric wiring, meeting the networking requirements of small- and medium-sized enterprises, intelligent community, hotels, offices, and campus.

1.1 Package Contents

Table 1-1 Package Contents

Item	Quantity
RG-ES126S-P V2 Switch	1
Rubber Pad	4
Mounting Bracket	2
Power Cord (1.8 m/5.91 ft)	1
M3 x 6 mm Screw	8
Dust Cap	1
User Manual	1

 **Note**

The package contents are subject to the purchase contract. The actual delivery prevails. Please check the items carefully against the package contents or purchase contract. If you have any questions or there are any errors, please contact your distributor.

1.2 Product Appearance

The RG-ES126S-P V2 switch provides 24 10/100 Base-TX self-adaptive Ethernet ports, one 10/100/1000 Base-TX SFP port, one 10/100/1000 Base-TX combo port, one DIP switch, one system status LED, and other LEDs on the front panel. On the rear panel of the switch, there is an AC power plug and a grounding stud.

Figure 1-1 Appearance of a RG-ES126S-P V2 Switch



1.2.1 Front Panel

Figure 1-2 Front Panel of a RG-ES126S-P V2 Switch

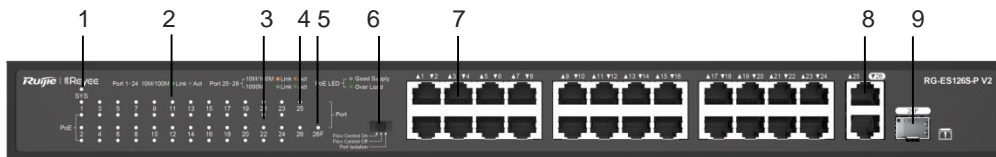


Table 1-2 Front Panel Specifications

No.	Item	Description
1	System Status LED	Off: The switch is not powered on. Solid on: The switch is powered on.
2	10/100Base-TX Link/Act LED	Solid green: The port has made a successful 10/100 Mbps link. Flashing green: The port is transmitting and receiving data at 10/100 Mbps. Off: The port is not connected. Solid orange: A 10/100 Mbps link is established on the port.

No.	Item	Description
		Blinking orange: The port is receiving and sending data at 10/100 Mbps.
3	PoE Status LED	Solid green: PoE is enabled. Flashing green: PoE overload occurs. Off: PoE is disabled.
4	10/100/1000Base-TX Copper Port LED	Solid orange: The port has made a successful 10/100 Mbps link. Flashing orange: The port is transmitting and receiving data at 10/100 Mbps. Solid green: The port has made a successful 1000 Mbps link up. Flashing green: The port is transmitting and receiving data at 1000 Mbps. Off: The port is not connected.
5	10/100/1000Base-TX Combo Port LED	Solid orange: The port has made a successful 10/100 Mbps link. Flashing orange: The port is transmitting and receiving data at 10/100 Mbps. Solid green: The port has made a successful 1000 Mbps link. Flashing green: The port is transmitting and receiving data at 1000 Mbps. Off: The port is not connected.
6	DIP Switch	The DIP switch is used to switch the working mode of the device. Standard mode: Flow control is enabled and all ports can communicate with each other. Flow Control Off mode: Flow control is disabled and all ports can communicate with each other. VLAN mode: Ports 1 to 24 cannot communicate with each other but they can communicate with ports 25 and 26.
7	10/100Base-TX Self-adaptive Ethernet Ports	24 10/100 Mbps self-adaptive Ethernet RJ45 ports (Auto MDI/MDIX) support PoE power supply.
8	10/100/1000Base-TX Self-adaptive Ethernet Port	One 10/100/1000 Mbps self-adaptive Ethernet RJ45 port (Auto MDI/MDIX).

No.	Item	Description
9	10/100/1000Base-X Combo Port	One 10/100/1000Base-T combo port. The SFP port and the copper port cannot be used at the same time.

1.2.2 Rear Panel

Figure 1-3 Rear Panel of a RG-ES126S-P V2 Switch

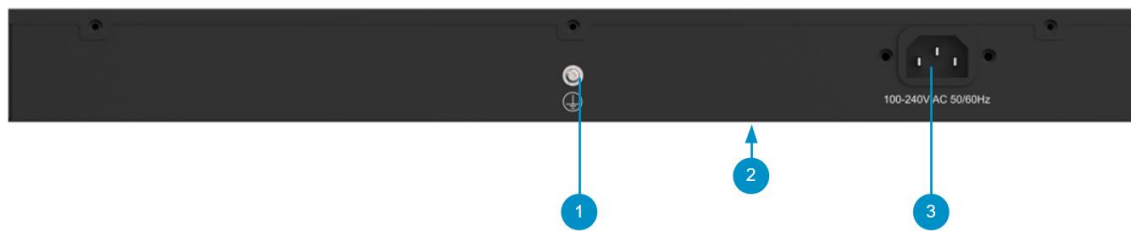


Table 1-3 Rear Panel Specifications

No.	Item	Description
1	Grounding Stud	Connect the grounding stud to the protection ground with the grounding cable to provide grounding protection.
2	Nameplate	Nameplate on the bottom of the device
3	AC Input Plug	Connect the power cord to the AC input plug to power on the switch.

1.3 Technical Specifications

Table 1-4 Technical Specifications of a RG-ES126S-P V2 Switch

Model	RG-ES126S-P V2
Service Ports	24 10/100 Mbps self-adaptive Ethernet ports (supporting Auto MDI/MDIX) One 10/100/1000 Mbps self-adaptive Ethernet port (supporting Auto MDI/MDIX) One 1000 Mbps combo port Ports 1-24 support PoE power supply.
Power Supply	AC input: Rated voltage range: 100 V AC to 240 V AC Maximum voltage range: 90 V AC to 264 V AC

	Frequency: 50 Hz/60 Hz Rated current: 3 A
EEE	Disabled by default
PoE	IEEE 802.3af-compliant and 802.3at-compliant Ports 1-24 support PoE power supply. Maximum PoE output power per port: 30 W Maximum PoE output power per device: 370 W
PoE Power Cable Pairs	Mode A (1-2, 3-6 pairs)
Maximum Power Consumption	432 W
Working Mode	Standard mode: Flow control is enabled and all ports can communicate with each other. Flow Control Off mode: Flow control is disabled and all ports can communicate with each other. VLAN mode: Ports 1 to 24 cannot communicate with each other but they can communicate with ports 25 and 26.
Operating Temperature	0°C to 45°C (32°F to 113°F)
Storage Temperature	-40°C to 70°C (-40°F to 158°F)
Operating Humidity	10% to 90% RH (non-condensing)
Storage Humidity	5% to 90% RH (non-condensing)
Lightning Protection (Port Surge)	6 KV
Fan	Two fans
Airflow Direction	Left-to-right airflow
Certification	CE, ROHS
Ground Leakage Current	≤ 3.5 mA
Dimensions (W x D x H)	440 mm x 208 mm x 44 mm (17.32 in. x 8.19 in. x 1.73 in.)
Weight	3.7 kg (8.16 lbs, with packaging materials)

! **Warning**

- Operation of this equipment in a residential environment could cause radio interference.
 - This equipment is not suitable for use in locations where children are likely to be present.
-

1.4 Cooling

The RG-ES126S-P V2 switch adopts fan cooling design. To ensure the normal operation of the device, maintain a minimum clearance of 10 cm (3.94 in.) around the device. Dust the device every three months to avoid blocking the ventilation openings.

2 Preparing for Installation

2.1 Safety Precautions

Note

- To avoid device damage and physical injury, please read the safety precautions carefully before installing the device.
 - The following safety precautions may not cover all possible dangers.
-

2.1.1 General Safety Precautions

- Install the device in a standard 19-inch cabinet.
- Do not place the device in a wet position, and keep the device away from liquid. Keep the chassis clean and dust-free.
- Place the device away from heat sources.
- Make sure that the cabinet and the power distribution system are properly grounded.
- Do not place the device in walking areas.
- Do not wear loose clothes, ornaments, or other items that may be hooked by the chassis during installation and maintenance.
- Keep the tools and components away from walking areas.

2.1.2 Handling Safety

- Avoid handling the device frequently after installation.
- Cut off all power supplies and unplug all power cords before moving and handling the device.
- Do not handle the device alone. At least two persons are needed. Keep balance and prevent personal injuries when handling the device.

2.1.3 Electric Safety

Warning

- Improper or incorrect electric operations may cause a fire, electric shock, and other accidents, and lead to severe and fatal personal injury and device damage.
 - Direct or indirect contact with high voltage or mains supply through wet objects may cause fatal dangers.
-
- Observe local rules and regulations when performing electric operations. Only personnel with relevant qualifications can perform such operations.
 - Check whether there are potential risks in the work area. For example, check whether the power supply is grounded, whether the grounding is reliable, and whether the ground is wet.
 - Learn about the position of the indoor emergency power switch before installation. Cut off the power switch in case of accidents.

- Check the device carefully before shutting down the power supply.
- Select a correct leakage protector (also referred to as “leakage current switch” or “leakage current breaker”) for the power supply system. When there is a risk of leakage and electric shock, the power supply is automatically disconnected. A correct leakage protector should meet the following requirements:
 - The rated leakage action current of each leakage protector is greater than twice of the theoretical maximum leakage current of all the power supplies in the system. For example, if a system is equipped with 16 identical power supplies, the leakage current of each power supply is equal to or less than 3.5 mA, and the leakage current of the system totals 56 mA. A leakage protector with 30 mA rated action current supports less than five power supplies (that is, Action current of the leakage protector/2/Maximum leakage current of each power supply = $30/2/3.5 \approx 4.28$). In other words, the leakage protector with 30 mA rated action current supports no more than four power supplies. In this case, the 16 power supplies in the system require at least four leakage protectors with 30 mA rated action current and each leakage protector supports four power supplies.

If power supplies in a system differ in models, the rated leakage action current of each leakage protector divided by two is greater than the sum of maximum leakage currents of all the power supplies.
 - The rated leakage non-action current of a leakage protector shall be 50% of the leakage action current. Take a leakage protector with 30 mA rated leakage action current as an example. The rated leakage non-action current shall be 15 mA. When the leakage current is below 15 mA, the protector shall not act.

⚠ Caution

To guarantee personal safety, the rated leakage action current of each leakage protector in the system must be equal to or less than 30 mA (human body safety current is 30 mA). When twice of the total leakage current of the system is greater than 30 mA, the system must be equipped with two or more leakage protectors.

For the leakage current value, see [Section 1.3 Technical Specifications](#).

2.1.4 Electrostatic Discharge Safety

- Ensure that the device is properly grounded.
- Keep the indoor installation environment free of dust.
- Maintain proper humidity conditions in the installation environment.
- Before installing various pluggable modules, please wear an anti-static wrist strap and ensure that the anti-static wrist strip is properly grounded.

2.2 Installation Environment Requirements

The device must be installed indoors. To ensure its normal operation and prolonged service life, the installation site must meet the following requirements.

2.2.1 Bearing Requirements

Evaluate the weight of the switch and its accessories (for example, the cabinet, chassis, and power supply modules), and ensure that the ground of the installation site meets the requirements.

2.2.2 Ventilation Requirements

Maintain a proper clearance around the device for air circulation and normal heat dissipation. After various cables are connected, bundle the cables or place them in the cable management bracket to avoid blocking air inlets.

2.2.3 Space Requirements

It is recommended that the width of the equipment room corridor be greater than 0.8 m (31.50 in.) to ensure enough space for chassis handling and module maintenance.

Please do not install the device against the wall. Instead, maintain a minimum clearance of 0.4 m (15.75 in.) around the device for heat dissipation and device maintenance.

2.2.4 Temperature/Humidity Requirements

To ensure the normal operation and prolonged service life of the device, maintain an appropriate temperature and humidity in the equipment room.

The equipment room with too high or too low temperature and humidity for a long period may cause damage to the device.

- In an environment with high relative humidity, the insulating material may have poor insulation or even leak electricity.
- In an environment with low relative humidity, the insulating strip may dry and shrink, loosening screws.
- In a dry environment, static electricity is prone to occur and damage the internal circuits of the device.
- Too high temperatures can accelerate the aging of insulation materials, greatly reducing the reliability of the device and severely affecting its service life.

Note

The ambient temperature and humidity of the device are measured at the point that is 1.5 m (59.06 in.) above the floor and 0.4 m (15.75 in.) before the device rack when there is no protective plate in front or at the back of the rack.

2.2.5 Cleanliness Requirements

Dust poses a major threat to the device. The indoor dust takes on a positive or negative static electric charge when falling on the device, causing poor contact of the metallic joint. Such electrostatic adhesion may occur more easily when the relative humidity is low, not only affecting the service life of the device, but also causing communication faults. The following table describes the requirements for the dust content and granularity in the server room.

Table 2-1 Requirements for Dust

Dust	Unit	Content
Dust particles (diameter $\geq 0.5 \mu\text{m}$)	Particles/m ³	$\leq 3.5 \times 10^6$
Dust particles (diameter $\geq 5 \mu\text{m}$)	Particles/m ³	$\leq 3.5 \times 10^4$

Apart from dust, the salt, acid, and sulfide in the air in the server room must meet strict requirements. These harmful substances will accelerate metal corrosion and component aging. Therefore, the equipment room should be properly protected against the intrusion of harmful gases, such as sulfur dioxide, hydrogen sulfide, nitrogen dioxide, and chlorine gas. The following table lists limit values for harmful gases.

Table 2-2 Requirements for Gases

Gas	Average (mg/m ³)	Maximum (mg/m ³)
Sulfur dioxide (SO ₂)	0.3	1.0
Hydrogen sulfide (H ₂ S)	0.1	0.5
Nitrogen dioxide (NO ₂)	0.5	1.0
Chlorine gas (Cl ₂)	0.1	0.3

Note

Average refers to the average value of harmful gases measured in one week. **Maximum** refers to the upper limit of harmful gases measured in one week, and the maximum value lasts up to 30 minutes every day.

2.2.6 Grounding Requirements

A proper grounding system is the basis for stable and reliable running and is indispensable for preventing lightning strikes and interference. Carefully check the grounding conditions at the installation site according to the grounding specifications, and complete grounding properly based on the actual situation.

- Safety Grounding

Ensure that the cabinet and power distribution device are properly grounded when the device uses the AC power supply. Otherwise, electric shock may occur when the insulation resistance between the power supply inside the device and the chassis becomes small.

Caution

Please adopt protection grounding connections in buildings so that the device can be connected to the protection ground.

Check whether the AC socket is reliably connected to the protection ground of the building. If not, a protection ground wire should be used to connect the protection ground lug of the AC socket to the protection ground of the building.

The cross-sectional area of the protection ground cable should be at least 0.75 mm² (18 AWG).

- Lightning Grounding

The lightning protection system of facilities is standalone, and is composed of a lightning rod, a lower conductor, and a connector connected to the grounding system. The grounding system is usually used for power reference grounding and safety grounding of the cabinet. Lightning grounding is required only for facilities and is not required for the device.

- EMC Grounding

Grounding required for electromagnetic compatibility (EMC) includes shielded grounding, filter grounding, noise and interference suppression, and level reference, which contribute to the overall grounding requirements. The grounding resistance should be less than 1 ohm, and the grounding lugs of the cabinet should be grounded before the running of the device.

2.2.7 Anti-interference Requirements

- Take interference prevention measures for the power supply system.
- Keep the device away from the grounding equipment or lightning and grounding equipment of the power device as much as possible.
- Keep the device far away from high-frequency current devices such as high-power radio transmitting station and radar transmitting station.
- Take electromagnetic shielding measures when necessary.

2.2.8 Lightning Protection Requirements

The device can guard against lightning strikes. As an electric device, it may still be damaged by strong lightning strikes. Take the following lightning protection measures:

- Ensure that the grounding cable of the rack is in good contact with the ground.
- Ensure that the neutral point of the AC power socket is in good contact with the ground.
- You are advised to install a power lightning arrester in front of the power input end to enhance the lightning prevention for the power supply.

2.2.9 Installation Site Requirement

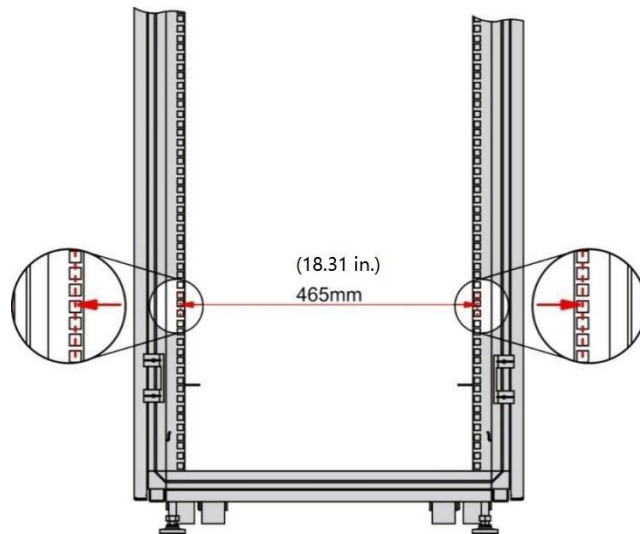
Regardless of whether the device is installed into a rack or on a workbench, the following conditions must be met:

- Maintain a proper clearance around the air inlets and ventilation openings for heat dissipation.
- The device is equipped with two cooling fans. Cold air is drawn through the ventilation openings around the chassis and exhausted from the rear of the chassis through the fans. Thus, maintain a minimum clearance of 15 cm (5.90 in.) around the device to ensure normal heat dissipation. You are advised to install the device in a standard 19-inch rack. If not, you can place the device on a clean workbench. If the installation area is hot, air conditioning is recommended.
- Ensure that the rack and workbench have proper ventilation and heat dissipation.
- Ensure that the rack and workbench are sturdy enough to support the weight of the device and its accessories.
- Ensure that the rack and workbench are properly grounded.

2.3 Rack Installation Requirements

If you want to install the device into a rack, confirm that the rack meets the following requirements.

- (1) Please use a standard 19-inch rack with four columns.
- (2) The distance between square hole strips on the left and right sides of the standard 19-inch rack is 465 mm (18.31 in.).

Figure 2-1 A Standard 19-inch Rack

- (3) The distance between the square hole strip on the rack column and the outer side of the front cabinet door is greater than 180 mm (7.09 in.) and the thickness of the front cabinet door is less than 25 mm (0.98 in.). Therefore, the available space is greater than 155 mm (6.10 in.). The rack depth (the distance between the front and rear doors) is greater than 1000 mm (39.37 in.).
- (4) The slide rails (or trays) of the rack meet the bearing requirements of the device.
- (5) A grounding lug is installed properly on the rack to ensure that the device is fully grounded.
- (6) The rack is well ventilated and the porosity of the front and rear panels is greater than 50%.

2.4 Tools

Table 2-3 Tools

Common Tools	Phillips screwdrivers, power cords, Ethernet cables, fastening bolts, diagonal pliers, and binding straps
Special Tools	Antistatic gloves, wire stripper, crimping pliers, crystal connector crimping pliers, and wire cutter
Meter	Multimeter
Relevant Devices	PC, display, and keyboard

Note

The RG-ES126S-P V2 switch is delivered without a tool kit. The tool kit is customer-supplied.

3 Installing the Switch

Caution

Ensure that requirements in Chapter 2 are all met.

3.1 Before You Begin

- The installation site provides sufficient space for heat dissipation.
- The installation site meets the temperature and humidity requirements of the device.
- The power supply and required current are available in the installation site.
- The Ethernet cables have been deployed in the installation site.
- The selected power supply modules meet the system power requirements.
- The position of the indoor emergency power switch is learned before installation. The power switch is cut off first in case of accidents.

3.2 Precautions

To ensure the normal operation and prolonged service life of the device, please observe the following precautions.

- Do not power on the device during installation.
- Install the device in a well-ventilated position.
- Do not subject the device to high temperatures.
- Keep away from high voltage cables.
- Install the device indoors.
- Do not expose the device in a thunderstorm or strong electric field.
- Keep the device clean and dust-free.
- Cut off the power supply before cleaning the device.
- Do not wipe the device with a damp cloth.
- Do not wash the device with liquid.
- Do not open the enclosure when the device is working.
- Fasten the device tightly.

3.3 Mounting the Switch

The RG-ES126S-P V2 switch can be installed in a 19-inch EIA rack. Install the switch into the rack by using the delivered accessories.

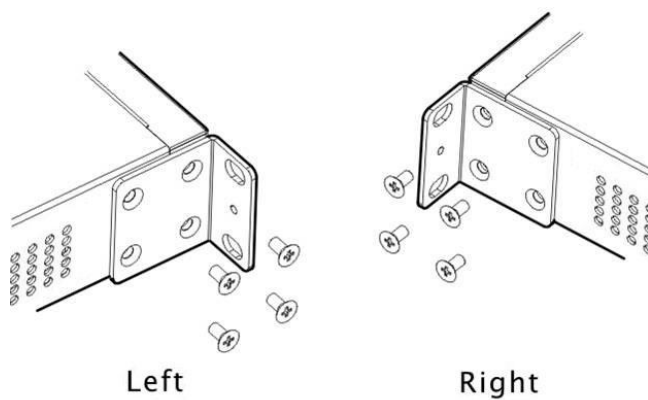
3.3.1 Rack Installation Requirements

- (1) Before installing the rack, plan the available space for the rack. Reserve sufficient space for the front and rear doors of the rack for device maintenance.
- (2) Mount and fasten the rack at the designed location as planned.
- (3) Install the appropriate cable management bracket and cables.
- (4) Install the tray and fiber termination box on the rack according to the number of switches in the rack.

3.3.2 Mounting the Switch in a Rack

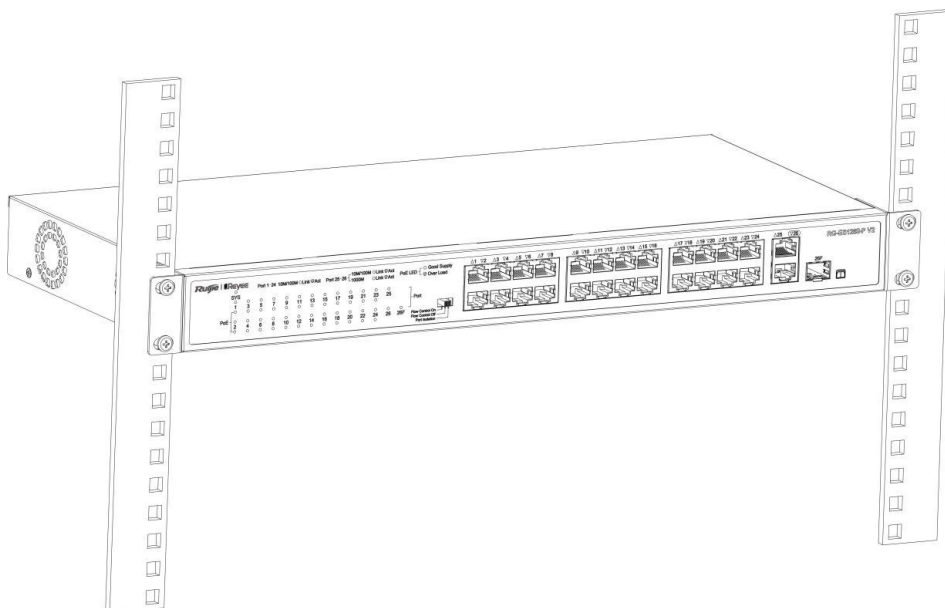
- (1) Take out the two L-shaped brackets and eight M3 x 6 mm screws from the packing materials. Secure a bracket to each side of the switch by using four screws.

Figure 3-1 Attaching the Mounting Brackets to the Switch



- (2) Position the mounting brackets at the desired level on the rack and mark the positions. Install cage nuts into the positions. Gently push the switch along the guide rail into the rack and use the provided screws to fasten the mounting brackets to the cage nuts on the square hole strips of the rack.

Figure 3-2 Securing the Switch to the Rack

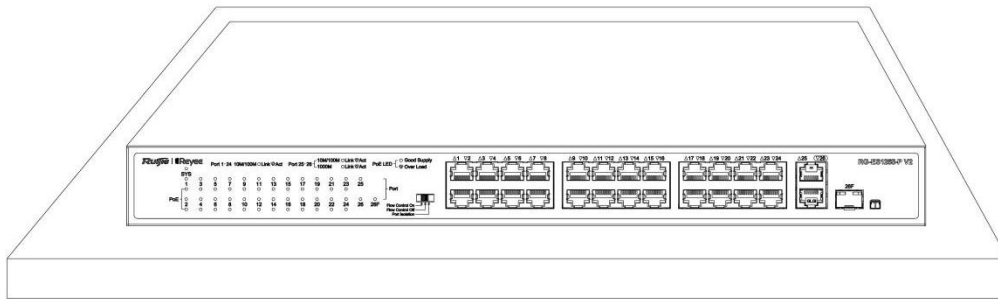


3.3.3 Mounting the Switch on a Workbench

If a standard 19-inch cabinet is unavailable, you can mount the switch on a clean workbench.

- (1) Attach the four rubber pads to the four recessed areas on the bottom of the switch.
- (2) Place the switch on the workbench to ensure adequate airflow around the switch.

Figure 3-3 Mounting the Switch on a Workbench



3.4 Grounding the Switch

Connect the grounding cable to the grounding stud on the back panel of the device.

Note

The grounding cable is not delivered with the switch and should be purchased separately.

3.5 Connecting the Cables

Warning

Please use the power cord delivered with the device to prevent accidents.

After installing the device in the rack, connect the switch to the external interfaces with Ethernet cables. Please follow the steps.

- (1) Connect one end of the provided power cord to the system power plug.
- (2) Turn off the main power supply and connect the other end of the power cord to the power socket.
- (3) Use an Ethernet cable with the RJ45 connector to connect the device to the network.

3.6 Checking after Installation

- Verify that the grounding cable is properly connected.
- Verify that the cables and power cord are properly connected.
- Verify that the cables are routed indoors. If not, check whether the power supply and interfaces are protected from lightning strikes.

- Verify that a minimum clearance of 10 cm (3.94 in.) is maintained around the device for air circulation.

4 Verifying Operating Status

4.1 Powering on the Switch

4.1.1 Checklist before Power-on

- Check whether the switch is properly grounded.
- Check whether the switch is properly installed in the rack.
- Check whether the power cord is properly connected.
- Check whether the power supply voltage meets the requirements.
- Check whether the Ethernet cable is properly connected, whether the client (may be PC) is started, and whether configuration parameters are set.

4.1.2 Checklist after Power-on

- Check whether the fiber-optic cable and Ethernet cable are properly connected.
- Check the LED status.

5 Appendix

5.1 Connectors and Media

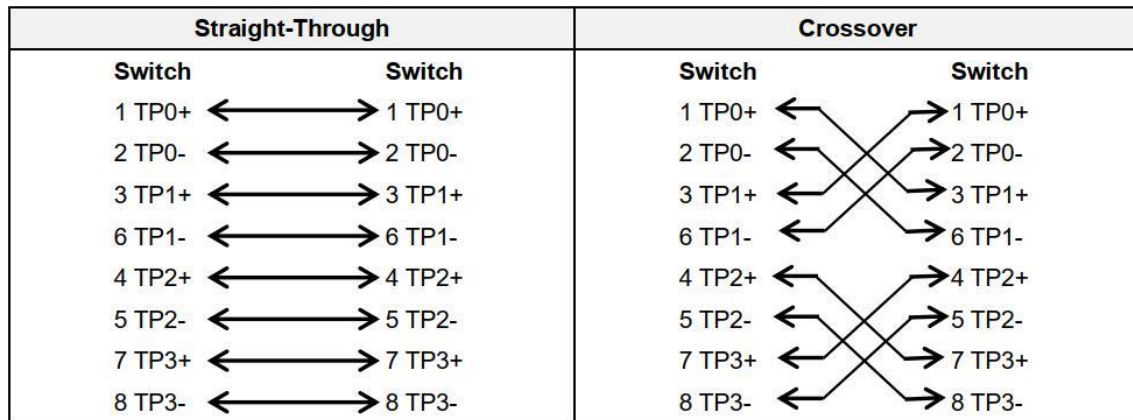
- **1000BASE-T/100BASE-TX/10BASE-T**

The 1000BASE-T/100BASE-TX/10BASE-T is a 10/100/1000 Mbps self-adaptive Ethernet port that supports auto MDI/MDIX Crossover.

Compliant with IEEE 802.3ab, 1000BASE-T requires Category 5 or Category 5e 100-ohm UTP or STP (STP is recommended) with a maximum distance of 100 m (328.08 ft).

The 1000BASE-T port uses four pairs of wires for data transmission, all of which must be connected. Figure 5-1 shows the connection of twisted pairs used by a 1000 Base-T port.

Figure 5-1 Figure 5-1 1000BASE-T Connection



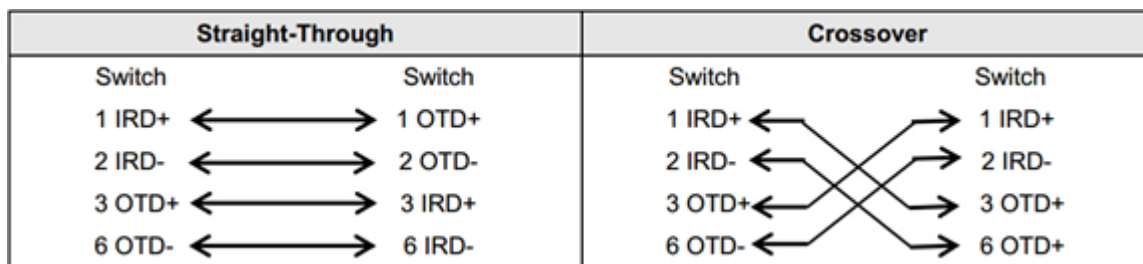
In addition to the above cables, 10BASE-T uses Category 3, 4, 5 100-ohm UTP/STP and 100BASE-T uses Category 5 100-ohm UTP/STP for connections. Both support a maximum length of 100 meters (328 ft). Figure 5-2 shows 100BASE-TX/10BASE-T pin assignments.

Figure 5-2 100BASE-TX/10BASE-T Pin Assignments

Pin	Socket	Plug
1	Input Receive Data+	Output Transmit Data+
2	Input Receive Data-	Output Transmit Data-
3	Output Transmit Data+	Input Receive Data+
6	Output Transmit Data-	Input Receive Data-
4,5,7,8	Not used	Not used

Figure 5-3 shows wiring of straight-through and crossover cables for 100BASE-TX/10BASE-T.

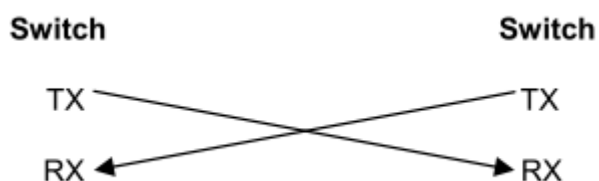
Figure 5-3 100BASE-TX/10BASE-T Twisted Pair Connection



● **Fiber-Optic Cable Connection**

Please choose SMF or MMF optic cables according to the module types.

Figure 5-4 Fiber-Optic Cable Connection



5.2 Mini-GBIC and SFP Modules

We provide GE SFP modules (Mini-GBIC modules) according to the SFP port types. You can select the module to fit your specific needs. The following models and technical specifications of some GE SFP modules are listed for your reference.

Table 5-1 Models and Specifications of Mini-GBIC (SFP) Transceiver Module

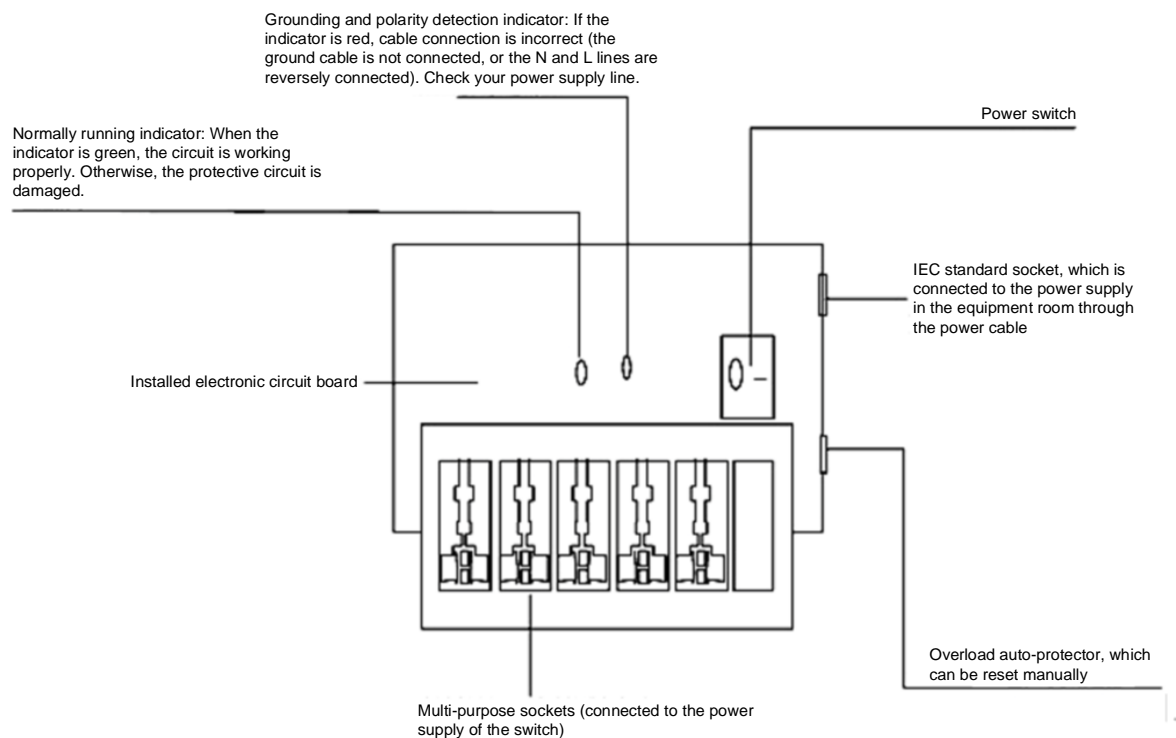
Mini-GBIC (SFP)	Wave-length (nm)	Fiber Type	Core Size (μm)	Modular Bandwidth (MHz/km)	Cabling Distance	Max Transmit Power (dbm)	Max Receive Power (dbm)	Standard
FE-SFP-LX-MM1310	1310	MMF	62.5/125	N/A	2 km	-14	-14	IEEE 802.3
FE-SFP-LH15-SM1310	1310	SMF	9/125	N/A	15 km	-8	-8	
Mini-GBIC-SX	850	MMF	62.5	160	220 m	-4	-17	
			62.5	200	275 m			
			50.0	400	500 m			
			50.0	500	550 m			
Mini-GBIC-LX	1310	SMF	9/10	N/A	10 km	-3	-20	
SFP-MM850	850	MMF	62.5	160	220 m	-4	-17	
			62.5	200	275 m			
			50.0	400	500 m			
			50.0	500	550 m			
SFP-SM1310	1310	SMF	9/10	N/A	10 km	-3	-20	
Mini-GBIC-LH40	1310	SMF	9/125	N/A	40 km	3	-3	
Mini-GBIC-ZX50	1550	SMF	N/A	N/A	50 km	0	-22	
80 km					4.7	-22		
100 km					5	-9		
Mini-GBIC-GT	N/A	CAT 5 UTP	N/A	N/A	100 m	N/A	N/A	

5.3 Lightning Protection

5.3.1 Installing AC Power Arrester (lightning protection cable row)

The AC power port must be connected to an external lightning protection power strip to prevent the switch from being struck by lightning when the AC power cord is introduced from the outdoor and directly connected to the power port of the switch. The lightning protection power strip can be fixed on the cabinet, workbench, or wall in the equipment room by using cable ties and screws. AC power enters the lightning protection power strip and then gets to the switch.

Figure 5-5 Power Arrester



Caution

The power arrester is not delivered with the switch. Please purchase it based on actual requirements.

Precautions for installation:

- Make sure that the PE terminal of the power arrester has been well-grounded;
- After the switch AC power plug is connected to the socket of the power arrester (lightning protection cable row), lightning protection function implements if the RUN LED is Green and the ALARM LED is OFF.
- If the ALARM LED on the power arrester is Red, check whether it is caused by poor grounding connection or by the reversed connection of the Null and Live lines: Use a multimeter to measure the polarity of the power socket for the arrester when the LED is Red, if the N line is on the left and the L line is on the right (facing the socket), the arrester PE terminal is not grounded; if the L line is on the left and the N line is on the right, the

polarity of the arrester power cord should be reversed. In this case, open the power arrester and rectify the polarity of the connection. If the LED is still Red, the arrester PE terminal has not been grounded.

5.3.2 Installing the Ethernet Port Arrester

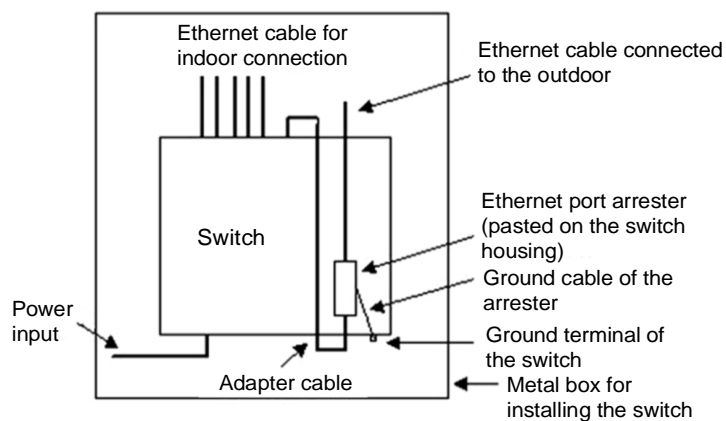
Please connect an Ethernet port arrester to the switch to prevent the damage by lightning before connecting an outdoor network cable to the switch.

Tools: Phillips screwdrivers or flat-head screwdriver, multimeter, and diagonal pliers

Installation Steps:

- (1) Tear one side of the protective paper for the double-sided adhesive tape and paste the tape to the housing of the Ethernet port arrester. Tear the other side of the protective paper for the double-sided adhesive tape and paste the Ethernet port arrester to the switch housing. The paste position for the Ethernet port arrester should be as close to the ground terminal of the switch as possible.
- (2) Based on the distance between the switch grounding stud and the Ethernet port arrester, cut the grounding cable for the Ethernet port arrester and firmly tighten the grounding cable to the grounding stud of the switch.
- (3) Use a multimeter to check whether the grounding cable for the arrester is in good contact with the grounding stud and the housing of the switch.
- (4) Connect the arrester by using an adapter cable (note that the external Ethernet cable is connected to the IN end, while the adapter cable connected to the switch is connected to the OUT end) and observe whether the LED on the board is normal or not.
- (5) Use a nylon cable tie to bundle the power cords.

Figure 5-6 Ethernet Port Arrester Installation



⚠ Caution

The Ethernet port arrester is only for the 10/100M copper Ethernet ports with the RJ-45 connector;
The Ethernet port arrester is not delivered with the switch. Please purchase it based on actual requirements.

During the actual installation, pay attention to the following items:

- Reversed installation direction of the arrester. Connect the external Ethernet cable to the IN end and connect the Ethernet port of the switch to the OUT end.
- Poor grounding of the arrester. The grounding cable of the arrester should be as short as possible to ensure

that it is in good contact with the grounding stud of the switch. Use a multimeter to confirm the contact condition after the grounding.

- Incomplete arrester installation. If there is more than one port connected to the peer device on the switch, arresters need to be installed on all connection ports for the purpose of lightning protection.