



Horus E1

Wireless Facial Recognition
Facial Recognition Terminal

Large-capacity backup
battery, More portable



The trend of Visible Light Facial Recognition technology has brought the user experience of biometric technology to a new height. As one of the biometric industry leaders, ZKTeco launched the second generation of facial recognition terminals – Horus E1.

Horus E1 is a portable mobile Time & Attendance terminal that can stand by for more than 8 hours with a full battery (turn off Wi-Fi, 3G, 4G, Bluetooth), full charge in 5-6 hours. It is one of the most advanced Time & Attendance terminals with incredibly compact size and powerful facial recognition technology in the market. This terminal offers up to 3-meter recognition distance, 30-degree pose angle tolerance, a maximum of 10,000 facial templates capacity, high anti-spoof ability, supports plentiful communication protocols (Wi-Fi, 3G, 4G, Bluetooth) and worldwide network settings, support positioning function, can be used to upload attendance location information to the system, and platform of ZKBioSecurity and BioTime.

Features

- A new height of facial recognition template capacity - up to 10,000 facial templates for 1:N recognition.
- Anti-spoofing algorithm against print attack (laser, color, and B/W photos), videos attack, and 3D mask attack.
- Multiple communication protocols are available: 4G, Wi-Fi, Bluetooth, and USB.
- 5-inch smartphone grade IPS touch LCD.
- 2MP CMOS with WDR.
- Various further development options: embedded GPS / A-GPS, microphone and PIR sensor.
- Positioning attendance records only support sending to platform of Biotime

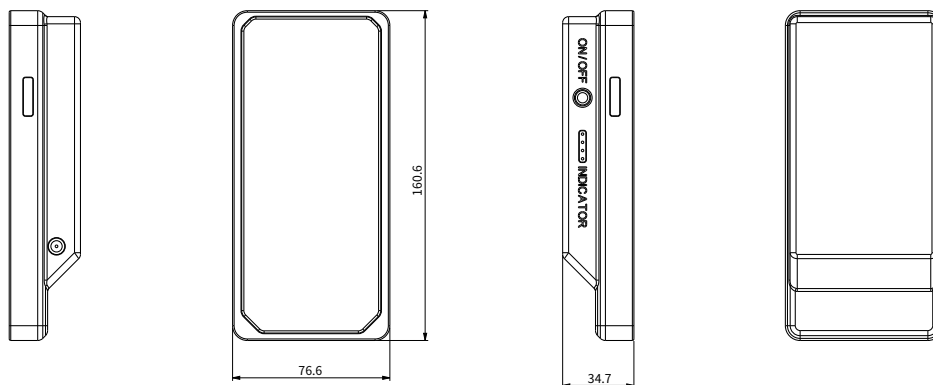
Overall View - Cloud Time Attendance



Specifications

Horus E1	
Picture	
CPU	Quad-core, 1.5G Hz
Android Version	Android 8.1
Memory	RAM2G/ROM16G
Camera	2MP Dual Camera
Display	720*1080 IPS Touch LCD
Face Template	6,000/10,000 (Optional)
Fingerprint Template	/
ID Card/MF Card	/
User	6,000/10,000 (Optional)
Transaction	100,000
Verification Mode	Face
TCP/IP	/
Wi-Fi	2.4GHz, 5GHz, 802.11a/b/g/n
Bluetooth	4.0
GPS	GPS/A-GPS
USB	USB 2.0
4G Wireless Broadband	GSM: 850 / 900 / 1800 / 1900 WCDMA: 850 / 900 / 1700 / 1900 / 2100 TDD-LTE: B38 / B40 / B41M FDD-LTE: B1 / B2 / B3 / B4 / B5 / B7 / B8 / B12 / B17 / B20 / B28A / B28B
Microphone	Clear Low Noise Audio Pickup within 1cm
Working Temperature	-10 to 50°C
Working Humidity	20% - 80%
Battery	Capacity: 4300 mAh Rated Voltage: 7.4V Output: 12±0.5V 1.5A
Dimensions (W*H*D)	160.6*76.6*34.7mm
Certifications	CE / FCC / RoHs

Dimensions (mm)



V1.0 2021.01.04

ZKTECO CO.,LTD. www.zkteco.com E-mail: sales@zkteco.com



Copyright©2021 ZKTECO CO., LTD. All rights reserved.