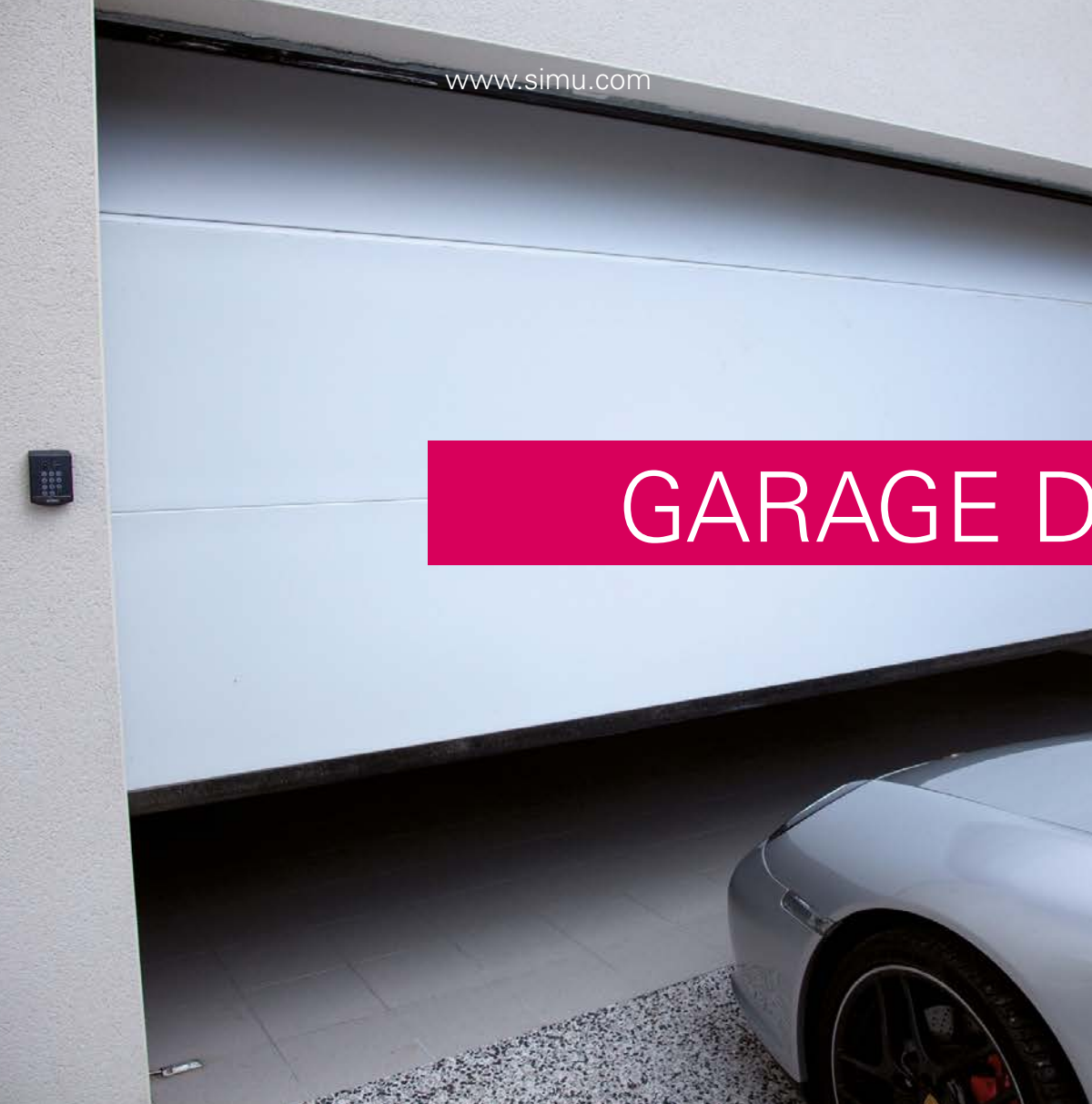


GARAGE DOORS

MOTORS,
CONTROL SYSTEMS
& ACCESSORIES



MOTORS

FOR GARAGE DOORS p 06

PRESENTATION OF GM RANGE p 08

GM 600 p 09

GM 800 p 10

GM 1000 p 11

ACCESSORIES p 12

MOTORS

FOR ROLLING DOORS p 16

SELECTION CHARTS p 18-19

MOTORS T5 & DMI5 p 20-21

MOTORS T6 & DMI6 p 22-23

ACCESSORIES p 24-27

CONTROL SYSTEMS & SAFETY ACCESSORIES p 28

RSA Hz RADIO RECEIVER FOR ROLLING GARAGE DOORS p 30-33

RADIO CONTROLS

Remote control: TSA+ p 34

Remote control: TSA 2 p 35

Radio transmitters 1 channel p 36-37

Sequential Hz transmitter p 38

SA Hz radio keypad p 39

Micro-transmitter Hz p 40

Micro-receiver Hz for lighting p 41

Other controls p 42-44

SAFETY ACCESSORIES AND ORANGE LIGHT

Safety brakes p 45

Optical safety edge p 46

Photocells + Reflex cell p 47-48

Orange light p 49

MANUFACTURERS OF MOTORS

AND AUTOMATIC CONTROLS

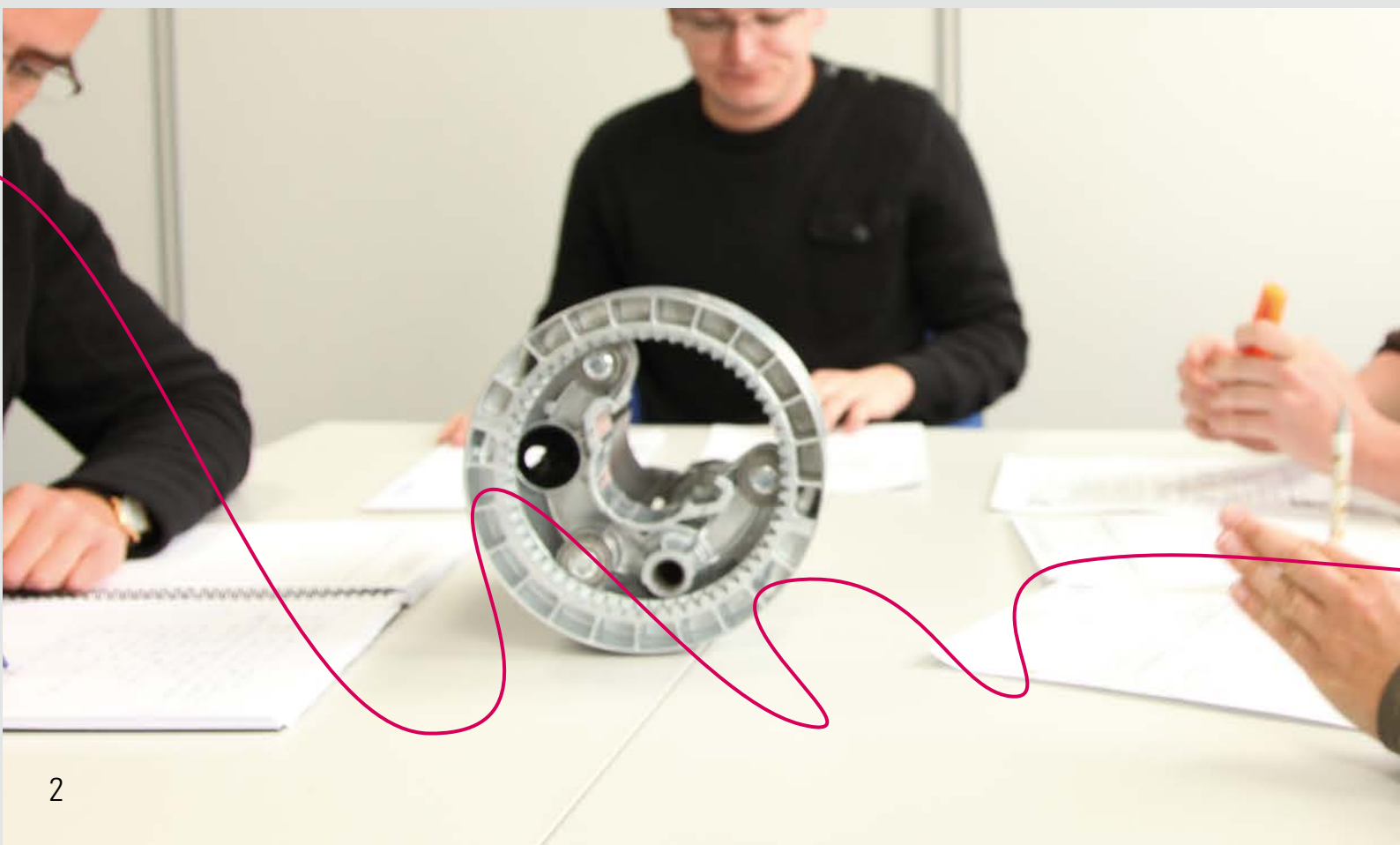
FOR ROLLER SHUTTERS, SUN BLINDS,

INDUSTRIAL AND COMMERCIAL SHUTTERS

SINCE 1952

For over 65 years, SIMU has built on its industrial knowledge and expertise, and founding values to offer customers all over the world quality products and services.

In 65 years, SIMU has become one of the reference brands on the roller shutter, industrial and commercial shutter motor, control and accessory market.





OUR VALUES...

EXPRESS OUR AMBITIONS AND PERSONALITY.
THEY GUIDE US AND DIRECT US EVERYDAY.

RELIABILITY

Whether it's in our products, services, processes, or in our discussions with our customers, we constantly aim for quality and excellence.



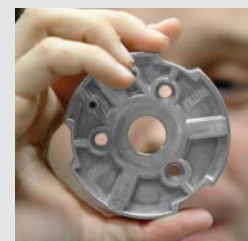
SIMPLICITY

Simple solutions, organisation, discussions, respect...
Close relationships is what SIMU is all about.



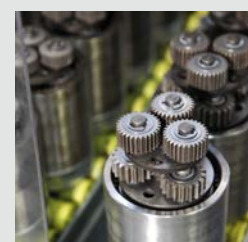
PROXIMITY

Knowing our customers well, meeting their needs and sometimes anticipating these needs, working in an atmosphere of trust and friendliness: our closeness with our customers reflects our commitment!



AGILITY

We are continuously open-minded and understanding our clients, markets and environment to anticipate, adapt and react to offer solutions and seize new opportunities.



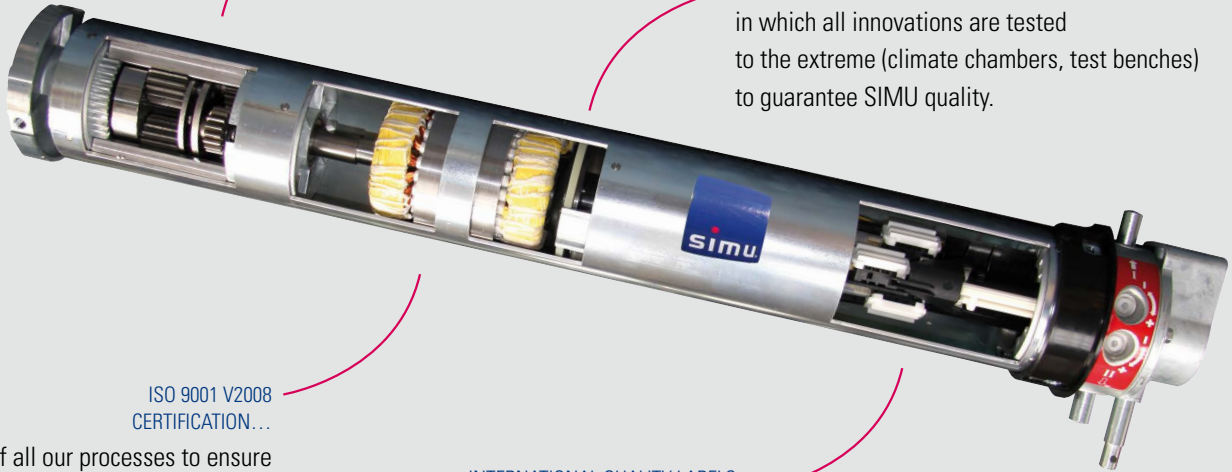
OUR COMMITMENT TO QUALITY!

100% OF MOTORS TESTED...
when they are built.

INTEGRATED TEST LABORATORY...
in which all innovations are tested
to the extreme (climate chambers, test benches)
to guarantee SIMU quality.

ISO 9001 V2008
CERTIFICATION...
of all our processes to ensure
constant quality.

INTERNATIONAL QUALITY LABELS...
certify the quality of SIMU products.



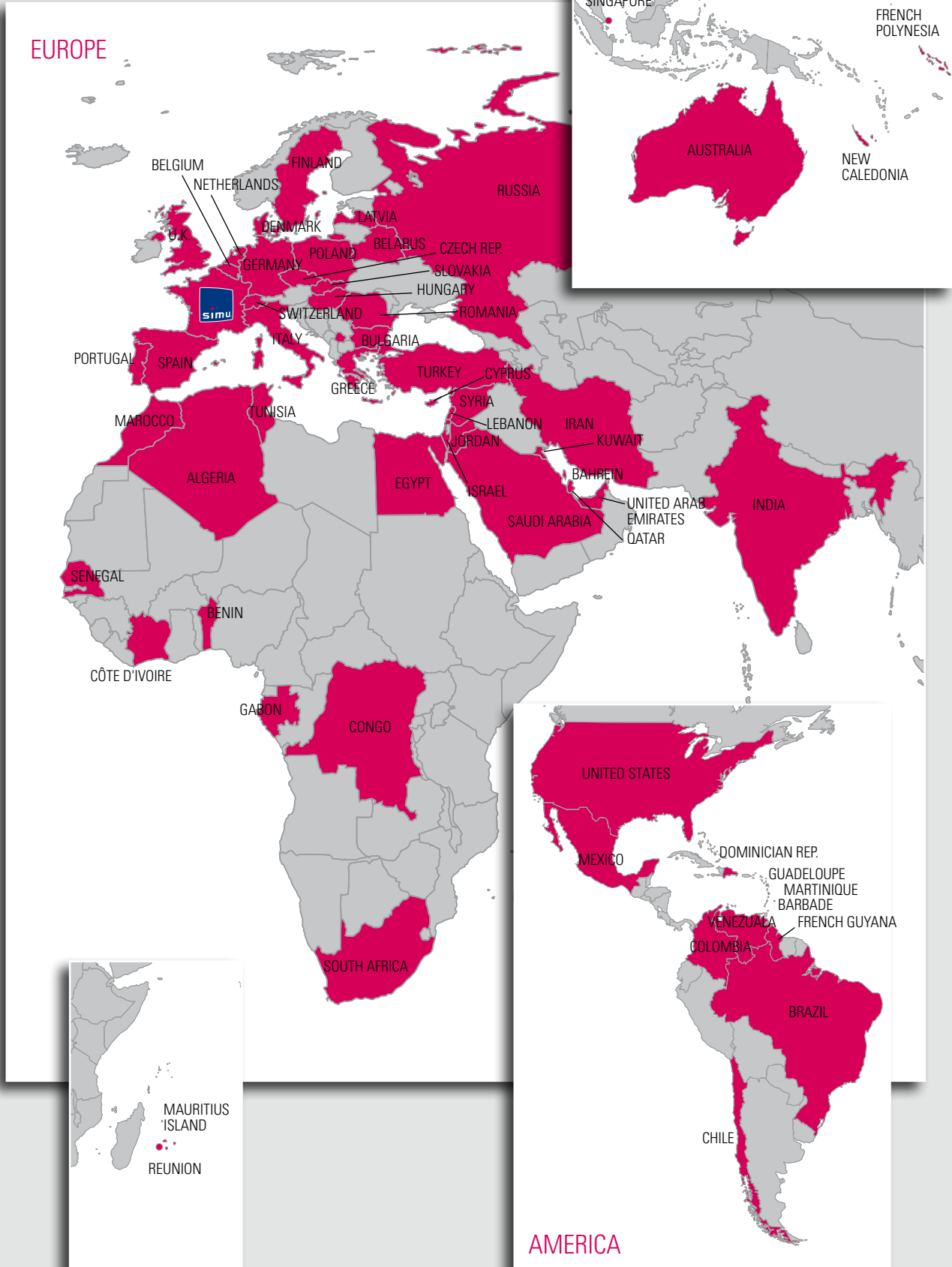
25,000 sqm of technological expertise
to provide the best possible quality!



WE ARE LOCATED...

ALL AROUND THE WORLD

For international contact details,
please call +33 (0)3 84 64 75 00





RADIO MOTORS

FOR GARAGE DOORS

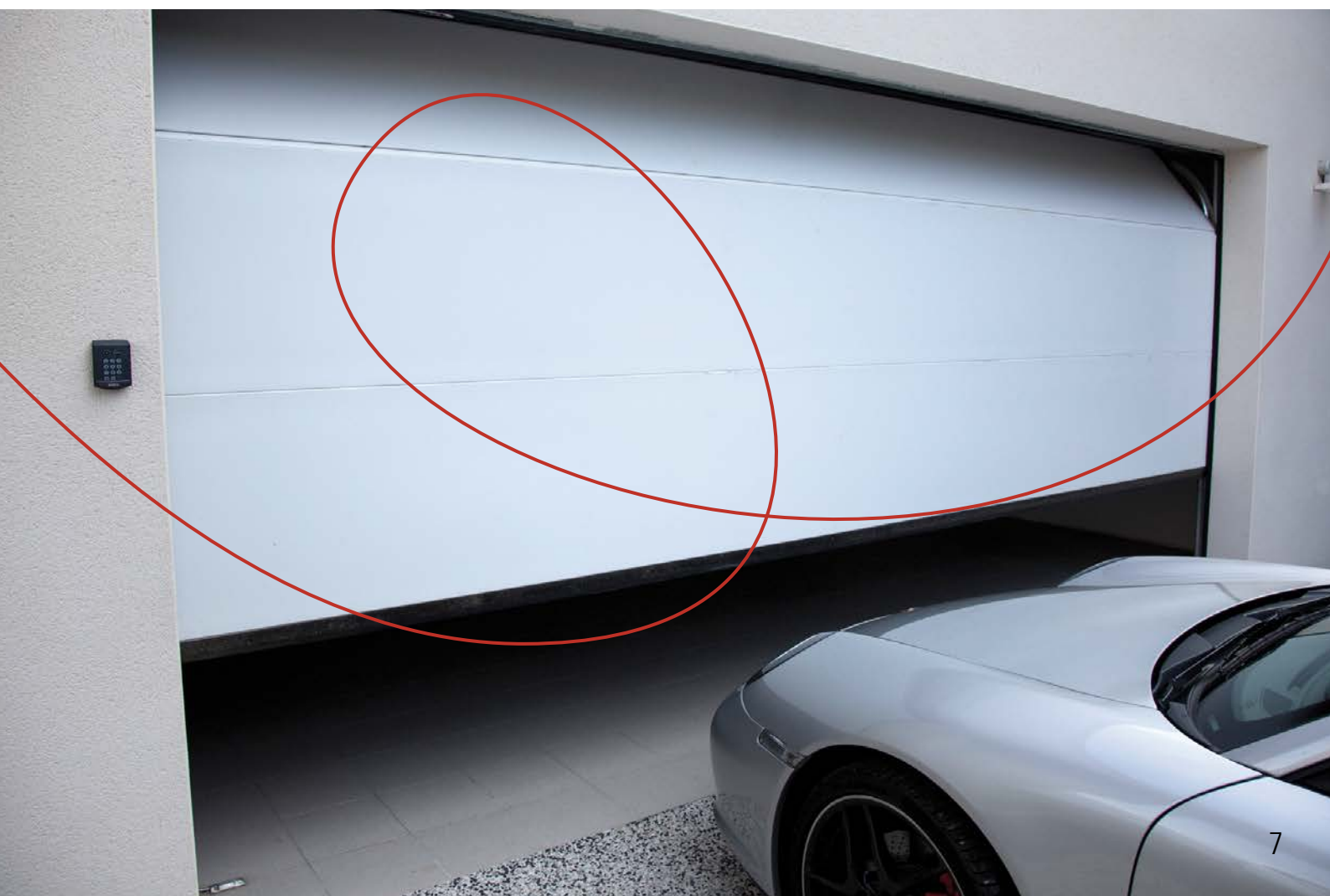
GM RANGE PRESENTATION p 08

GM 600 p 09

GM 800 p 10

GM 1000 p 11

MOTOR ACCESSORIES p 12



GM MOTORS

MOTORS FOR UP-AND-OVER (PROJECTING), SECTIONAL AND SLIDING DOORS.



SIMPLE TO ADJUST: the auto limit switch training system makes it easier to implement GM motors. So, the motors are adjusted automatically in a single cycle.




THEY FIT IN ANYWHERE! The GM motors have a movable head, which means that they can adapt to different configurations and installation constraints. They may also be attached directly under the ceiling or be offset thanks to the adjustable support.

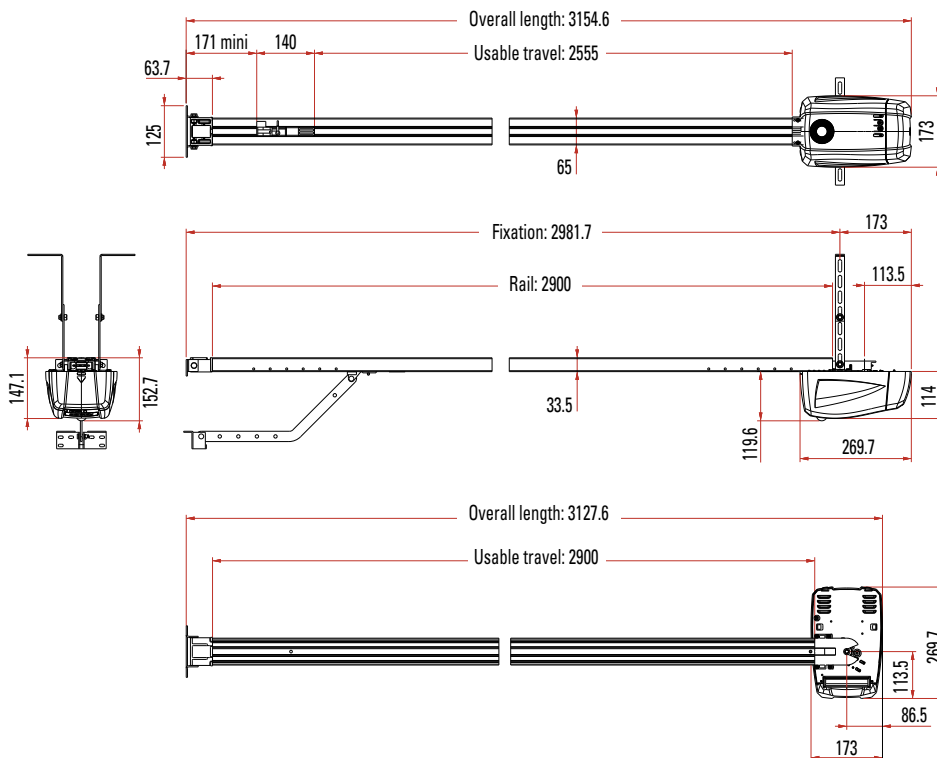
SIMU-Hz COMPATIBILITY: the GM motors use SIMU-Hz radio technology and so are compatible with all the motors and transmitters in the SIMU-Hz range.

GUARANTEED SAFETY: thanks to their built-in stop-on-obstacle system, the GM motors guarantee protection for users, their property and the garage door. To strengthen safety even further, a set of detection cells may also be connected to the GM motors.

Motor delivered with 2 TSA+ remote controls

CHOICE OF MOTOR

			
DOOR SURFACE	SECTIONAL DOOR	UP AND OVER DOOR	SLIDING DOOR
up to 7 m²	GM 600	GM 600	GM 800
from 7 to 10 m²	GM 800	GM 800	GM 800
from 10 to 15 m²	GM 1000	GM 1000	GM 1000



DESCRIPTION	REFERENCE
GM 600	2008765

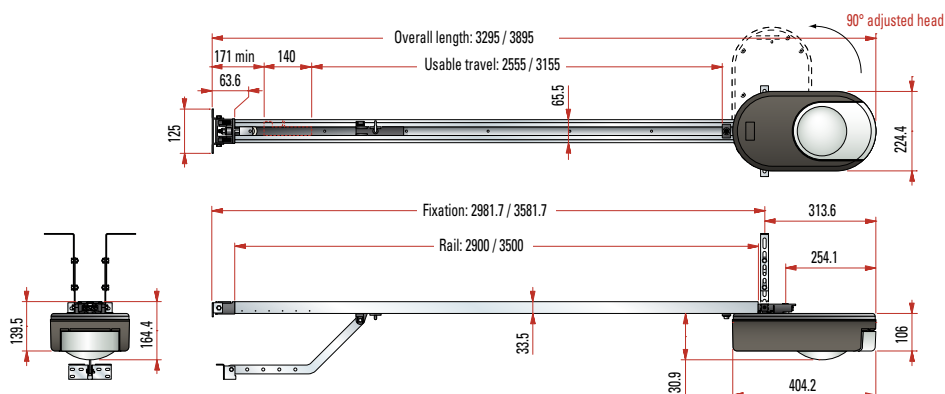
Motor supplier with 2 TSA+ remote controls and ceiling attachment brackets

TECHNICAL CHARACTERISTICS

POWER SUPPLY	230V - 50Hz
MAX POWER CONSUMED IN OPERATION	4 W
MAX TRACTION FORCE	600 Nm
NUMBER OF CYCLES	20 cycles per day
MAX SPEED	14 cm/s
PROGRAMMING INTERFACE	2 keys - 2 lights
OPERATING TEMPERATURE	-20°C to +60°C
PROTECTION INDEX	IP 20
RADIO FREQUENCY	433.42 MHz
NUMBER OF PROGRAMMABLE CHANNELS	32
INTEGRATED LIGHTING	yes (G4 24V/20W type halogen light bulb)
MOTOR DIMENSIONS EXCLUDING RAIL (L x W x H)	269.7 x 17.3 x 11.4 cm
AVAILABLE RAIL LENGTHS	2.9 m

CONNECTIONS

SAFETY INPUT	NF contact type / compatible with TX / RX photoelectric cells
WIRED CONTROL INPUT	NO contact type
EXTERNAL LIGHTING AREA INPUT	no
ACCESSORY POWER SUPPLY OUTPUT	24V / 500mA max.
ORANGE LIGHT OUTPUT	24V / 15W with integrated flashing
EXTERNAL ANTENNA OUTPUT	yes
BACKUP BATTERY INPUT	yes (compatible with battery ref. 9015168 see page 13)



DESCRIPTION	REFERENCE
GM 800	2007151

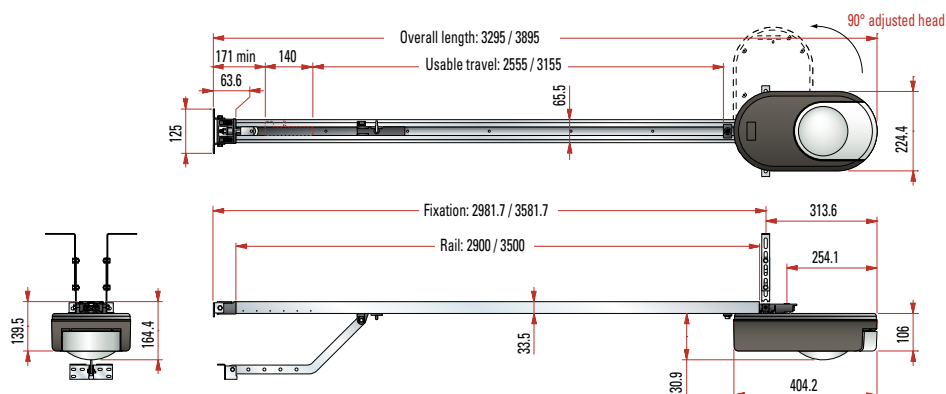
Motor supplier with 2 TSA+ remote controls and ceiling attachment brackets

TECHNICAL CHARACTERISTICS

POWER SUPPLY	230V - 50Hz
MAX POWER CONSUMED IN OPERATION	4 W
MAX TRACTION FORCE	800 Nm
NUMBER OF CYCLES	20 cycles per day
MAX SPEED	14 cm/s
PROGRAMMING INTERFACE	4 keys - 4 lights
OPERATING TEMPERATURE	-20°C to +60°C
PROTECTION INDEX	IP 20
RADIO FREQUENCY	433.42 MHz
NUMBER OF PROGRAMMABLE CHANNELS	32
INTEGRATED LIGHTING	yes (G4 24V/20W type halogen light bulb)
MOTOR DIMENSIONS EXCLUDING RAIL (L x W x H)	404.2 x 22.4 x 10.6 cm
AVAILABLE RAIL LENGTHS	2.9 m or 3.5 m or 4.5 m

CONNECTIONS

SAFETY INPUT	NF contact type / compatible with TX / RX photoelectric cells
WIRED CONTROL INPUT	NO contact type
EXTERNAL LIGHTING AREA INPUT	no
ACCESSORY POWER SUPPLY OUTPUT	24V / 500mA max.
ORANGE LIGHT OUTPUT	24V / 15W with integrated flashing
EXTERNAL ANTENNA OUTPUT	yes
BACKUP BATTERY INPUT	yes (compatible with battery ref. 9015168 see page 13)



DESCRIPTION	REFERENCE
GM 1000	2007951

Motor supplier with 2 TSA+ remote controls and ceiling attachment brackets


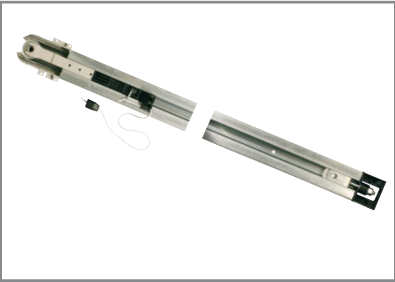
TECHNICAL CHARACTERISTICS

POWER SUPPLY	230V - 50Hz
MAX POWER CONSUMED IN OPERATION	5 W
MAX TRACTION FORCE	1000 Nm
NUMBER OF CYCLES	20 cycles per day
MAX SPEED	18 cm/s
PROGRAMMING INTERFACE	7 keys + 2-digit LCD screen
OPERATING TEMPERATURE	-20°C to +60°C
PROTECTION INDEX	IP 20
RADIO FREQUENCY	433.42 MHz
NUMBER OF PROGRAMMABLE CHANNELS	32
INTEGRATED LIGHTING	yes (G4 24V/20W type halogen light bulb)
MOTOR DIMENSIONS EXCLUDING RAIL (L x W x H)	404.2 x 22.4 x 10.6 cm
AVAILABLE RAIL LENGTHS	2.9 m or 3.5 m or 4.5 m

CONNECTIONS

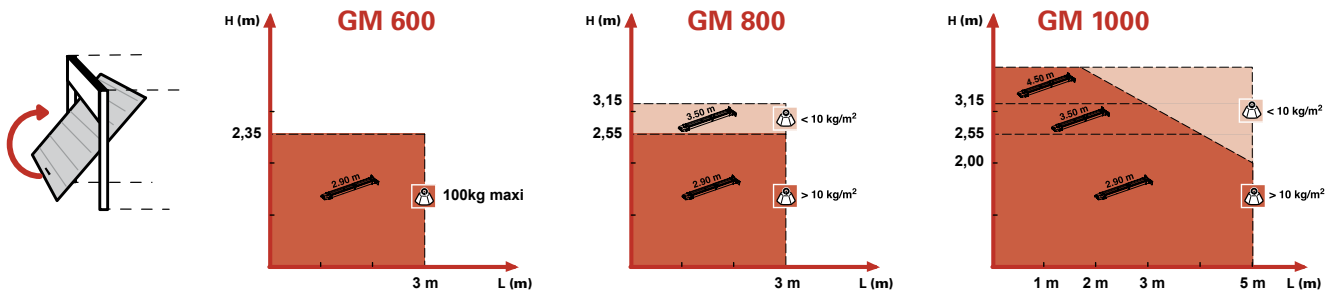
SAFETY INPUT	NF contact type / compatible with TX / RX photoelectric cells
WIRED CONTROL INPUT	NO contact type
EXTERNAL LIGHTING AREA INPUT	yes (230V / 500W)
ACCESSORY POWER SUPPLY OUTPUT	24V / 500mA max.
ORANGE LIGHT OUTPUT	24V / 15W with integrated flashing
EXTERNAL ANTENNA OUTPUT	yes
BACKUP BATTERY INPUT	yes (compatible with battery ref. 9015168 see page 13)

THE RAILS

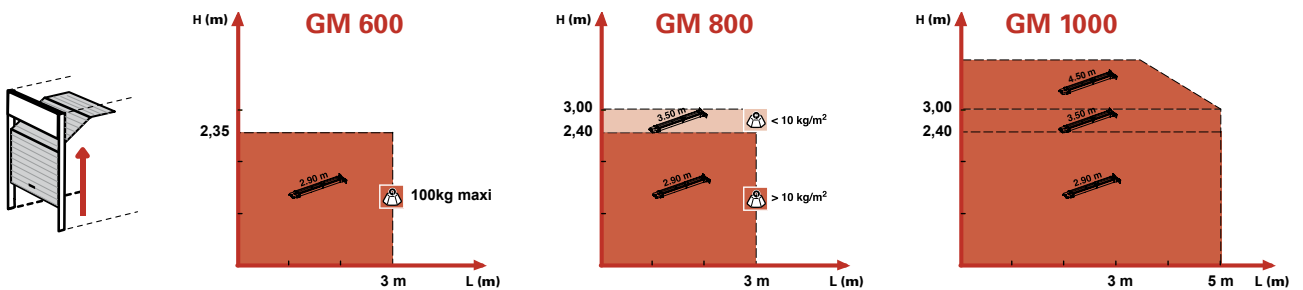
PRODUCT	DESIGNATION	PACKAGING	REFERENCE
	Chain rail - 2.9 m - single-block	30	9013811
	Chain rail - 2.9 m - in two parts	1	9013812
	Chain rail - 3.5 m - in two parts	1	9013814
	Belt rail - 2.9 m - single-block	30	9013815
	Belt rail - 2.9 m - in two parts	1	9013816
	Belt rail - 3.5 m - in two parts	1	9013818
	Belt rail - 4.5 m - in two parts	1	9015416

RAIL SELECTION CHARTS

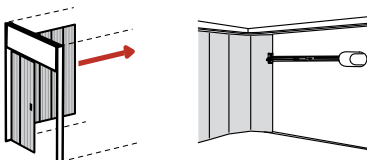
UP AND OVER DOOR



SECTIONAL DOOR



SLIDING DOOR











Use the belt transmission rail for mounting on the backing wall.

ACCESSORIES

PRODUCT	DESIGNATION	PACKAGING	REFERENCE
	<p>CEILING ATTACHMENT KIT for high garage enables the attachment height to be extended by 25 and 55 cm in height</p>	1	9015161
	<p>ADAPTOR FOR SECTIONAL DOOR enables the attachment to be strengthened between the arm and the sectional door</p>	1	9015162
	<p>BOTTOM DOOR LOCKING KIT enables the installation's safety to be strengthened with additional locking at the door sill. Unlocks automatically as soon as the door moves.</p>	1	9015466
	<p>EXTERNAL UNLOCKING FITTING Enables the motor to be activated from outside the garage. Composed of a lock attached directly to the door and connected to the manual activation system integrated into the rail.</p>	1	9015169
	<p>SAFETY CONTACT KIT FOR GATE enables safe operation for doors with a gate. It cuts the power supply to the motor when the gate is not fully closed.</p>	1	2007492
	<p>BACKUP BATTERY enables the door to be manoeuvred if there is a power cut. Autonomy: 5 to 8 cycles in 24 hours (depending on the door's characteristics) Charge time: 72 hours</p>	1	9015168
	<p>EXTERNAL ANTENNA improves the range between the motor and the remote controls. Cable length 8 m.</p>	1	9015167
	<p>UNIVERSAL ORANGE LIGHT 230/24 Operates in fixed or flashing mode</p>	1	9019453

CONTROLS

PRODUCT	DESIGNATION	PACKAGING	REFERENCE
 <p>SIMU-HZ[®] technology</p> <p><i>sold with its support</i></p>	<p>TSA+ REMOTE CONTROL 4-channel remote control <i>(for more information see page 34)</i></p>	<p>x 1</p> <p>x 16</p>	<p>2007846</p> <p>2008038</p>
 <p>SIMU-HZ[®] technology</p>	<p>TSA 2 REMOTE CONTROL 2-channel remote control <i>(for more information see page 35)</i></p>	<p>x 1</p>	<p>2005326</p>
 <p>SIMU-HZ[®] technology</p>	<p>HZ SEQUENTIAL TRANSMITTER Sequential 1-channel wall-mounted transmitter - 1 button <i>(for more information see page 38)</i></p>	<p>x 1</p>	<p>2008401</p>
 <p>SIMU-HZ[®] technology</p>	<p>WALL-MOUNTED SIMU-Hz TRANSMITTER - 1 CHANNEL 1-channel wall-mounted transmitter - 3 buttons <i>(for more information see pages 36-37)</i></p>	<p>x 1</p>	<p>2008369</p>
 <p>SIMU-HZ[®] technology</p>	<p>SIMU-Hz REMOTE CONTROL - 1 CHANNEL 1-channel remote control - 3 buttons <i>(for more information see pages 36-37)</i></p>	<p>x 1</p>	<p>2008799</p>

PRODUCT	DESIGNATION	PACKAGING	REFERENCE
 <p>simu-Hz technology</p>	<p>SA HZ DIGICODE 2-channel radio digicode, with 4, 5 or 6-digit code <i>(for more information see page 39)</i></p>	<p>x 1</p>	<p>2006029</p>
	<p>LEGRAND MOSAÏC PUSH BUTTON Sequential wired control <i>(for more information see page 43)</i></p>	<p>x 1 (screw-mounted) x 1 (with clamps) x 1 (Mosaïc Front Plate) x 1 (Surface mounting box)</p>	<p>2006872 2006875 9014519 9014520</p>
	<p>UNIVERSAL KEY SWITCH Secured control, operates in "push button" or "3 button" mode <i>(for more information see page 43)</i></p>	<p>x 1</p>	<p>2004964</p>



MOTORS

FOR ROLLING DOORS

SELECTION CHARTS p 18-19

MOTORS T5 & DMI5 p 20-21

MOTORS T6 & DMI6 p 22-23

ACCESSORIES p 24-27



WIRED SINGLE-PHASE SELECTION CHARTS

T5/DMI5, T6/DMI6 MOTORS

SELECTION CHARTS AND OPERATIONAL LIMITS MENTIONED IN THIS CATALOGUE

...are given for information only and vary according to each installation's characteristics (more particularly: type of slats, friction, conditions of installation, variation in power supply voltage, torque variations due to kinematics of each grille and metal curtains and to its spring strength).

The salesman's or manufacturer's responsibility cannot be called into question. Recommendations for the use of tubes require careful attention as well (see profiler's charts). Each manufacturer of grilles and metal curtains will have to test the products in order to determine his own selection charts.

For any special case, please consult us.

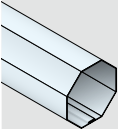
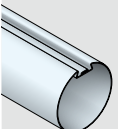
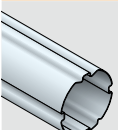
THE + SIMU

On request, we can also make for you personalized selection charts that meet the specific characteristics of your closures. You can send your requests to service@simu.com



SINGLE-PHASE MOTORS - T5 / DMI 5 - T6 / DMI 6

The following chart shows a liftable curtain weight (kg) depending on the type of rolling tube, the height of the door and the motor torque:

Ø OF TUBE	CURTAIN HEIGHT	T5 / DMI 5		T6 / DMI 6			
		40 Nm	50 Nm	60 Nm	80 Nm	100 Nm	120 Nm
 <i>Octa 70</i>	≤ 2,5 m	-	-	70 Kg	-	-	-
	3 m	-	-	65 Kg	-	-	-
	3,5 m	-	-	63 Kg	-	-	-
	4 m	-	-	58 Kg	-	-	-
 <i>Deprat 89</i>	≤ 2,5 m	57 Kg	71 Kg	85 Kg	115 Kg	145 Kg	-
	3 m	53 Kg	66 Kg	80 Kg	106 Kg	133 Kg	-
	3,5 m	51 Kg	64 Kg	75 Kg	100 Kg	130 Kg	-
	4 m	41 Kg	58 Kg	70 Kg	93 Kg	117 Kg	-
 <i>ZF 80</i>	≤ 2,5 m	63 Kg	79 Kg	95 Kg	126 Kg	157 Kg	-
	3 m	59 Kg	74 Kg	89 Kg	118 Kg	148 Kg	-
	3,5 m	57 Kg	71 Kg	86 Kg	114 Kg	143 Kg	-
	4 m	52 Kg	65 Kg	78 Kg	104 Kg	130 Kg	-

T5 & DMI5 MOTORS

WIRED SINGLE-PHASE, Ø 50 MM



RANGE OF TORQUE FROM 40 TO 50 Nm

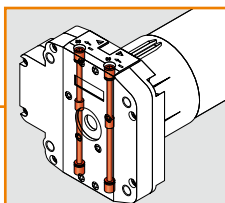
...to motorize doors up to 79kg.

AVAILABLE WITH OR WITHOUT INTEGRATED MANUAL OVERRIDE

...in the motor head.

MOTOR COMPATIBLE

...with the RSA Hz radio control box, providing secure installations with radio control.



The setting screws of the end-limit are positioned on either side of the head. and therefore always accessible, whatever its orientation.

RANGE

POWER SUPPLY 230V - 50 Hz

DESCRIPTION	TORQUE	SPEED	POWER	CURRENT	LENGTH A	LENGTH B	LENGTH C	WEIGHT	REFERENCE
T5 - 40/12	40 Nm	12 rpm	240 W	1,1 A	585 mm	598 mm	621 mm	2,5 kg	2000412
T5 - 50/12	50 Nm	12 rpm	240 W	1,1 A	585 mm	598 mm	621 mm	2,55 kg	2000432
DMI 5 - 40/12	40 Nm	12 rpm	240 W	1,1 A	576 mm	589 mm	617 mm	3,12 kg	2000756
DMI 5 - 50/12	50 Nm	12 rpm	240 W	1,1 A	576 mm	589 mm	617 mm	3,14 kg	2000763

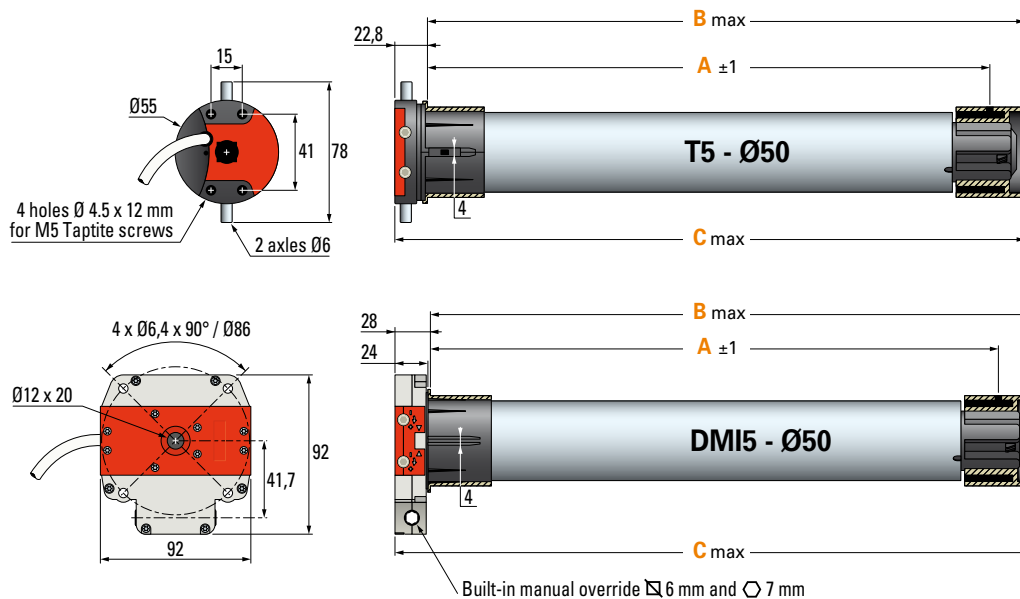
POWER SUPPLY 220V - 60 Hz

DESCRIPTION	TORQUE	SPEED	POWER	CURRENT	LENGTH A	LENGTH B	LENGTH C	WEIGHT	REFERENCE
T5 - 38/14	38 Nm	14 rpm	210 W	1 A	585 mm	598 mm	621 mm	2,62 kg	2006161
DMI 5 - 38/14	38 Nm	14 rpm	210 W	1 A	576 mm	589 mm	617 mm	2,93 kg	2006164

POWER SUPPLY 120V - 60 Hz

DESCRIPTION	TORQUE	SPEED	POWER	CURRENT	LENGTH A	LENGTH B	LENGTH C	WEIGHT	REFERENCE
T5 - 40/12	40 Nm	12 rpm	210 W	1,8 A	585 mm	598 mm	621 mm	2,76 kg	2000652
T5 - 50/12	50 Nm	12 rpm	250 W	2,1 A	585 mm	598 mm	621 mm	2,48 kg	2000653
DMI 5 - 40/12	40 Nm	12 rpm	210 W	1,8 A	646 mm	659 mm	687 mm	3,28 kg	2000775
DMI 5 - 50/12	50 Nm	12 rpm	250 W	2,1 A	646 mm	659 mm	687 mm	3,3 kg	2000776

DIMENSIONS






- A : Drilling dimensions of tubes
- B : Adapted motor size inside the tube
- C : Total motor length with adaptor

SPECIFICATION

THERMAL CUT-OUT	4 minutes (230V) or 2.25 minutes (220V) or 5 minutes (120V)
PROGRESSIVE END-LIMIT	with a capacity of 28 rounds
REDUCTION RATIO	of the manual override: 27/1
PROTECTION INDEX	IP 44
AMBIENT WORKING TEMPERATURE	from -10°C to +40°C, and exceptionally from -20°C to +60°C
POWER CABLE 230 V	2.5 metres (4x0.75mm ² wires, white H05 VVF) or 0.7 m (4x0.75mm ² wires, black H05 RRF): ref consult us.
POWER CABLE 220 V	2.5 metres (4x0.75mm ² wires, white H05 VVF)
POWER CABLE 120 V	2.5 metres (4xAWG19 wires, white 05 VVF)
BASE DIAMETER OF THE CROWN	for Ø50 x 1.5 mm round tube
4 CYCLES PER DAY	non consecutive
INSULATION CLASS	Class I motor

RECOMMENDED TYPES OF CONTROL

TYPE OF CONTROL	RADIO CONTROL	WIRED CONTROL WITHIN SIGHT, WITH MAINTAINED PUSH, WITHOUT SAFETY ACCESSORY
Operating mode	Automatic or sequential	Maintained push
Control boxes	 RSA Hz box (page 30)	not required
Control points	 Key switch and push buttons (pages 43 et 44)  Remote controls & radio transmitters (pages 34-35 et 39)	 Key switch or wired switch (pages 43 et 44)
Safety accessories	 Safety edge, photocell barrier & signalling light (pages 46 à 49)	not required

T6 & DMI6 MOTORS

WIRED SINGLE-PHASE, Ø 60 MM



RANGE OF TORQUE FROM 60 TO 120 Nm

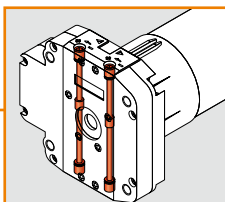
...to motorize doors up to 150kg.

AVAILABLE WITH OR WITHOUT INTEGRATED MANUAL
OVERRIDE

...in the motor head.

MOTOR COMPATIBLE

...with the RSA Hz radio control box, providing secure installations with
radio control.



The setting screws of the end-limit are positioned on either side of the head. and therefore
always accessible, whatever its orientation.

RANGE

POWER SUPPLY 230V - 50 Hz

DESCRIPTION	TORQUE	SPEED	POWER	CURRENT	LENGTH A	LENGTH B	LENGTH C	WEIGHT	REFERENCE
T6 - 60/12	60 Nm	12 rpm	240 W	1,05 A	676 mm	689 mm	718 mm	4,43 kg	2000916
T6 - 80/12	80 Nm	12 rpm	290 W	1,25 A	676 mm	689 mm	718 mm	4,64 kg	2000922
T6 - 100/12	100 Nm	12 rpm	350 W	1,5 A	676 mm	689 mm	718 mm	4,97 kg	2000928
T6 - 120/12	120 Nm	12 rpm	400 W	1,8 A	676 mm	689 mm	718 mm	5,17 kg	2000934
DMI 6 - 60/12	60 Nm	12 rpm	240 W	1,05 A	662 mm	675 mm	704 mm	4,63 kg	2001003
DMI 6 - 80/12	80 Nm	12 rpm	290 W	1,25 A	662 mm	675 mm	704 mm	4,85 kg	2001007
DMI 6 - 100/12	100 Nm	12 rpm	350 W	1,5 A	662 mm	675 mm	704 mm	5,17 kg	2001010
DMI 6 - 120/12	120 Nm	12 rpm	400 W	1,8 A	662 mm	675 mm	704 mm	5,38 kg	2001013

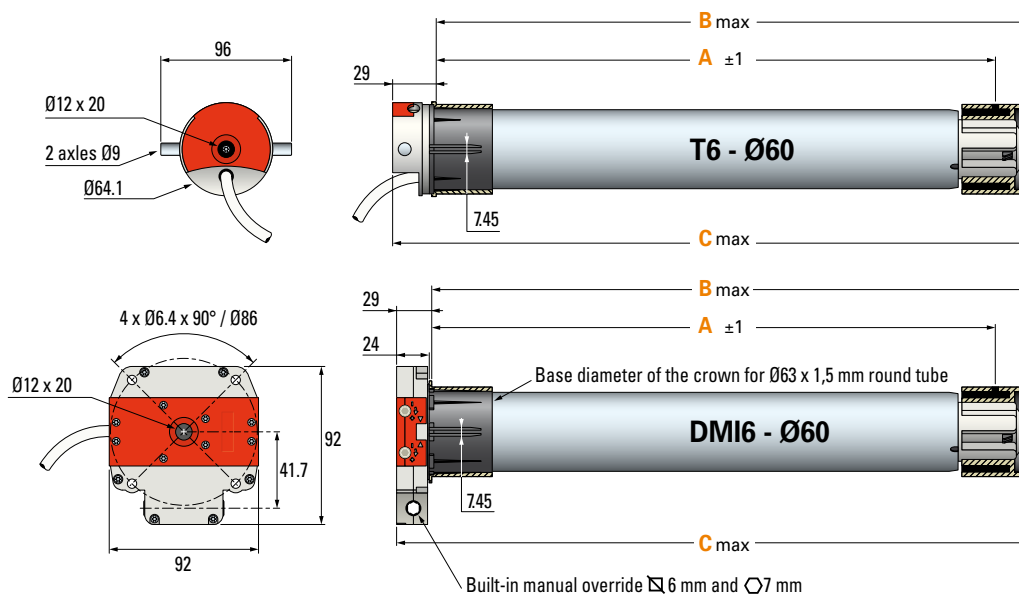
POWER SUPPLY 220V - 60 Hz

T6 - 60/14	60 Nm	14 rpm	270 W	1,2 A	662 mm	675 mm	704 mm	4,82 kg	2006165
DMI 6 - 60/14	60 Nm	14 rpm	270 W	1,2 A	662 mm	675 mm	704 mm	5,03 kg	2006166
DMI 6 - 80/14	80 Nm	14 rpm	350 W	1,6 A	662 mm	675 mm	704 mm	5,25 kg	2006167
DMI 6 - 100/14	100 Nm	14 rpm	400 W	1,8 A	662 mm	675 mm	704 mm	5,57 kg	2006168

POWER SUPPLY 120V - 60 Hz

T6 - 60/14	60 Nm	14 rpm	285 W	2,5 A	676 mm	689 mm	718 mm	4,66 kg	2000985
T6 - 80/14	80 Nm	14 rpm	390 W	3,4 A	676 mm	689 mm	718 mm	4,97 kg	2000986
T6 - 100/14	100 Nm	14 rpm	430 W	3,8 A	676 mm	689 mm	718 mm	5,31 kg	2000987
DMI 6 - 60/14	60 Nm	14 rpm	285 W	2,5 A	662 mm	675 mm	704 mm	4,87 kg	2001040
DMI 6 - 80/14	80 Nm	14 rpm	390 W	3,4 A	662 mm	675 mm	704 mm	5,18 kg	2001042
DMI 6 - 100/14	100 Nm	14 rpm	430 W	3,8 A	662 mm	675 mm	704 mm	5,54 kg	2001044

DIMENSIONS



- A**: Drilling dimensions of tubes
B: Adapted motor size inside the tube
C: Total motor length with adaptor

SPECIFICATION

THERMAL CUT-OUT	4 minutes (230V) or 2.25 minutes (220V) or 5 minutes (120V)
T6 PROGRESSIVE END-LIMIT	with a capacity of 23 rounds
DMI6 PROGRESSIVE END-LIMIT	with a capacity of 28 rounds
DMI6 REDUCTION RATIO	of the manual override: 55/1
PROTECTION INDEX	IP 44
AMBIENT WORKING TEMPERATURE	from -10°C to +40°C and exceptionally from -20°C to +60°C
POWER CABLE 230V	2.5 metres (4x0.75mm ² wires, white H05 VVF) or 0.7 metres (4x0.75mm ² wires, black H05 RRF): ref consult us.
POWER CABLE 220V	2.5 metres (4x0.75mm ² wires, white H05 VVF)
POWER CABLE 120V	2.5 metres (4xAWG19 wires, white 05 VVF)
BASE DIAMETER OF THE CROWN	for Ø63 x 1.5 mm round tube
4 CYCLES PER DAY	non consecutive
INSULATION CLASS	Class I motor

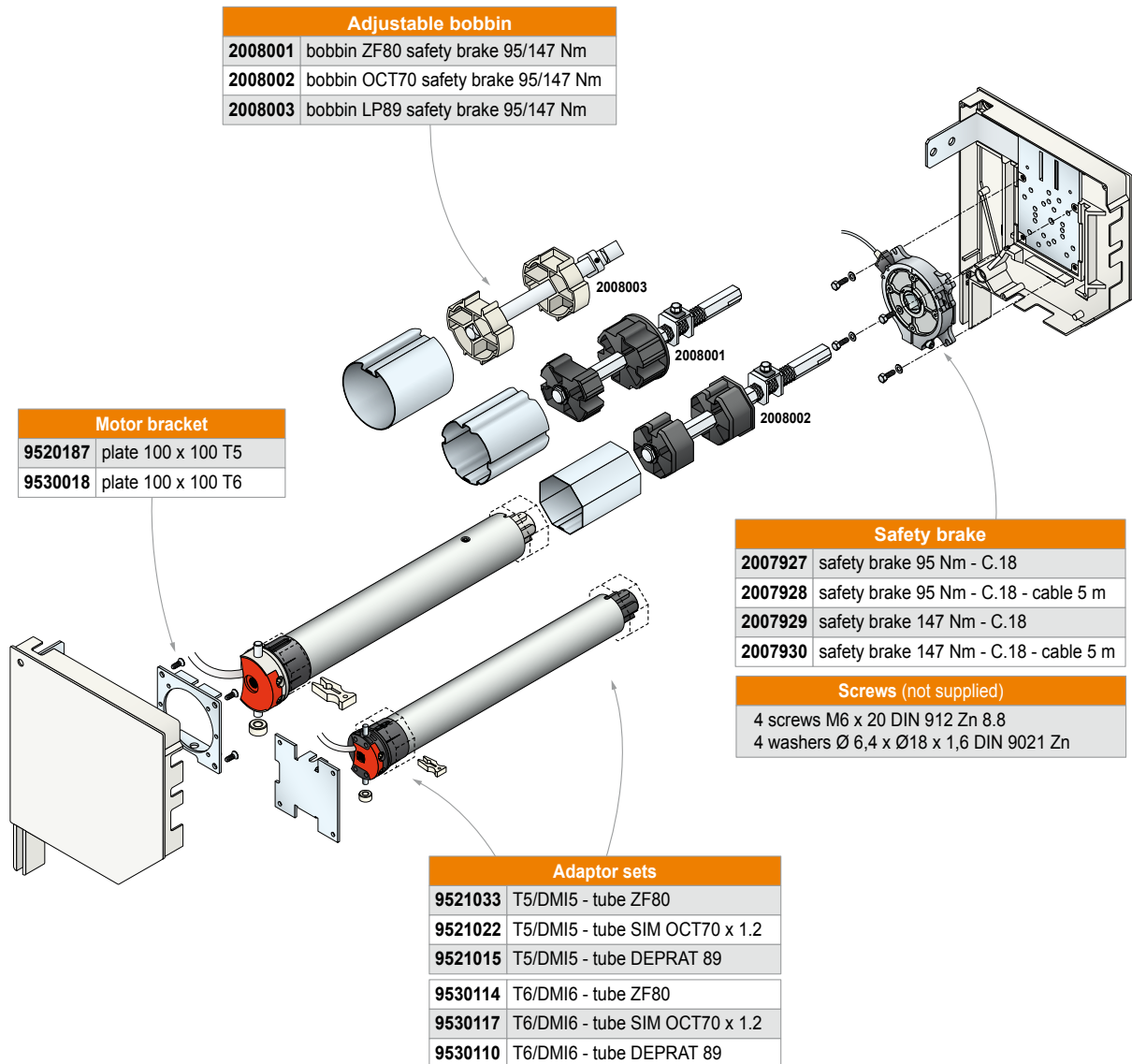
RECOMMENDED TYPES OF CONTROL

TYPE OF CONTROL	RADIO CONTROL	WIRED CONTROL WITHIN SIGHT, WITH MAINTAINED PUSH, WITHOUT SAFETY ACCESSORY
Operating mode	Automatic or sequential	Maintained push
Control boxes	 RSA Hz box (page 30)	not required
Control points	 Key switch and push buttons (pages 43 et 44)	 Remote controls & radio transmitters (pages 34-35 et 39)
Safety accessories	 Safety edge, photocell barrier & signalling light (pages 46 à 49)	not required

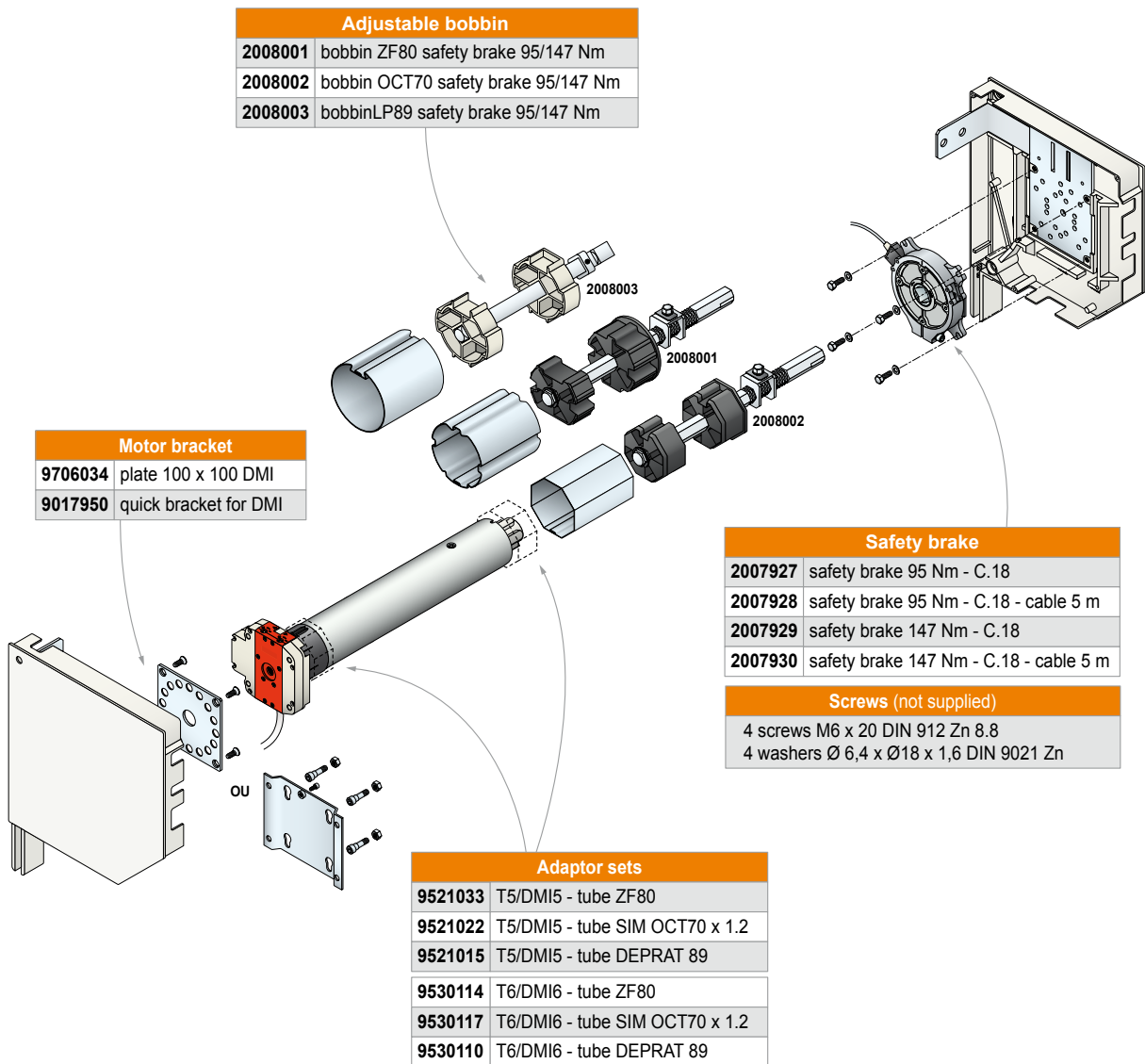
ACCESSORIES

FOR MOUNTING ON SIDE FRAME

WITH T5, T6 MOTORS & SAFETY BRAKE




WITH DMI5, DMI6 MOTORS & SAFETY BRAKE



ACCESSORIES

FOR MANUAL OVERRIDE

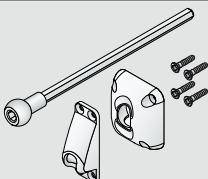
RING FOR HANDLE WITH HOOK, FOR DMI5 AND DMI6 VERTICAL MOUNTING

RING	DESCRIPTION	REFERENCE
	Ring, 63mm length, 7mm hexa drive shaft	9016332
	Ring, 165mm length, 7mm hexa drive shaft	9685136
	Ring, 325mm length, 7mm hexa drive shaft	9000848

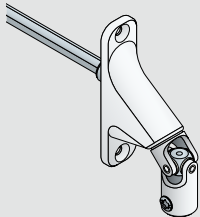
CRANK HANDLE WITH HOOK

CRANK HANDLE	DESCRIPTION	COLOR	LENGTH	REFERENCE	
				x 1	x 10
	Crank handle with hook, in steel	White lacquered	1,2 m	2006527	2006528
			1,5 m	2006531	2006532
			1,6 m	2006543	2006544
			2 m	2006549	2006550
			2,6 m	2006535	2006536
			3 m	2006537	2006538
		Grey lacquered	1,5 m	2006541	2006542


INVISIBLE JOINT FOR DMI5, DMI6 AND T8S DMI MOTORS VERTICAL MOUNTING

JOINT	DESCRIPTION	REFERENCE
	Invisible joint set, white	9685142

UNIVERSAL JOINT FOR DMI5, DMI6 AND T8S DMI MOTORS HORIZONTAL MOUNTING



UNIVERSAL JOINT	DESCRIPTION	REFERENCE
	Universal joint 90°, for Ø12mm rod, 7mm hexa drive shaft, white	2008066
	Universal joint 90°, for Ø12mm rod, 6mm square drive shaft, white	2008070
	Universal joint 90°, for Ø12mm rod, 7mm hexa drive shaft, grey	2008065
	Universal joint 90°, for Ø12mm rod, 6mm square drive shaft, grey	2008069

CRANK HANDLE

CRANK HANDLE	DESCRIPTION	REFERENCE
	Crank handle for invisible joint or universal joint, white	2006637

ACCESSORIES

FOR MOTOR SETTING

COMPONENTS	DESCRIPTION	REFERENCE
	20 flexible tools for end limit setting (214mm length)	9011781
	20 rigid tools for end limit setting (123mm length)	9000987



CONTROL SYSTEMS

& SAFETY ACCESSORIES

RSA Hz RADIO RECEIVER FOR ROLLING GARAGE DOORS p 30-33

RADIO CONTROLS

Remote control: TSA+	p 34
Remote control: TSA 2	p 35
Radio transmitters 1 channel	p 36-37
Sequential Hz transmitter	p 38
SA Hz radio keypad	p 39
Micro-transmitter Hz	p 40
Micro-receiver Hz for lighting	p 41
Other controls	p 42-44

SAFETY ACCESSORIES AND ORANGE LIGHT

Safety brakes	p 45
Optical safety edge	p 46
Photocells barrier + Reflex cell	p 47-48
Orange light	p 49



RSA Hz RADIO RECEIVER



FOR ROLLING GARAGE DOORS



USE:

- Radio receiver for single-phase motors with mechanical end-limits (DMI5, DMI6, T5, T6)
- Management of safety and lighting accessories.

DESCRIPTION	REFERENCE
RSA Hz radio receiver	2006048

FUNCTIONS AND PRODUCT BENEFITS

COMPLETE RADIO SOLUTION FOR ROLLING GARAGE DOOR: control of a wired motor; connection/ management of a safety brake, and/or an orange light, and of 3 safety accessories (up to 2 photocells sets and 1 safety edge).

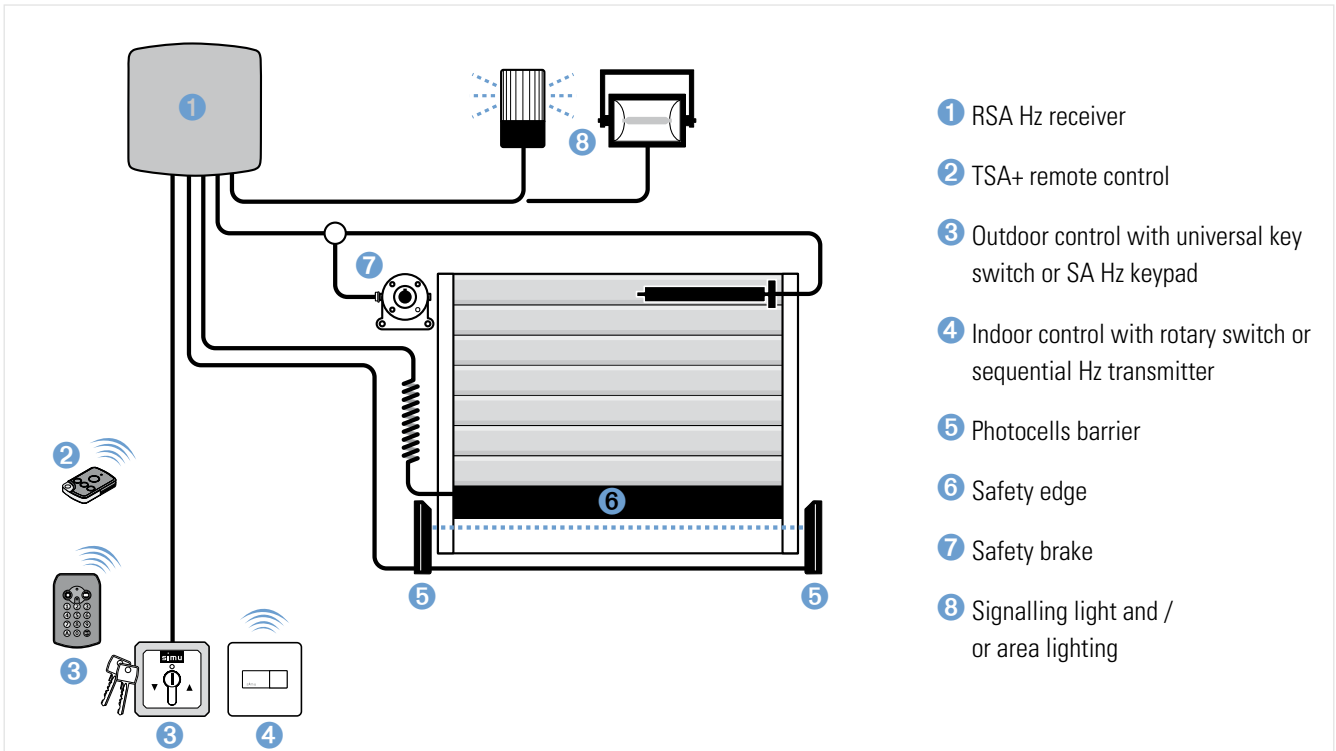
CUSTOMIZED PROGRAMMING AND OPERATING MODE:

- 6 modes: automatic, semi-automatic, sequential, sequential with delay time, with 3 buttons (up, down and stop) and forced with keyboard
- Adjustable time of the area lighting
- Accurate adjustment of motor operating time and closure time delays.
- Integrated cycle meter

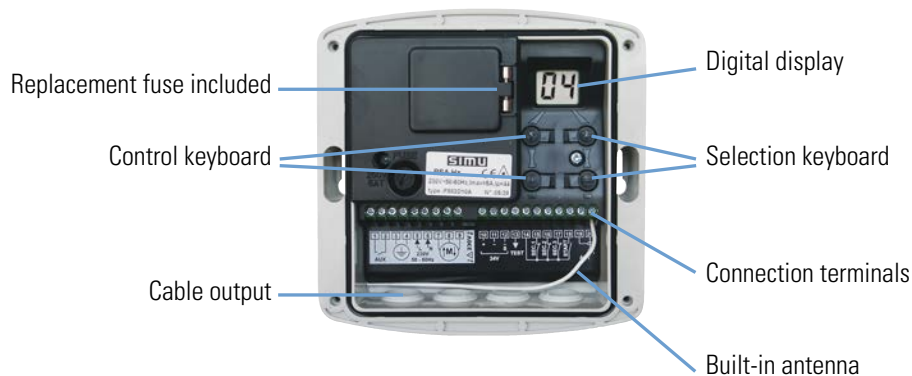
SOLUTION COMPATIBLE with the entire range of SIMU-Hz transmitters (Excepted with the LiveIn solution).

SELF TESTING and diagnostic of the safety accessories at each operating cycle.

INSTALLATION



SPECIFICATION



POWER SUPPLY	230 VAC - 50 Hz
FUSE	250 VAC / 5 A with timeout
MAXIMUM MOTOR POWER	230 VAC - 750 W
ACCESSORY POWER SUPPLY	24 VDC (direct current)
ORANGE LIGHT	24 V / 10 W max or 230 V / 40 W max
AREA LIGHTING	230 VAC / 500 W
MAXIMUM ACCESSORY CURRENT	0.33 A, i.e. 8 W max.
AUXILIARY OUTPUT	NO contact, 250 VAC / 500 W
WIRED CONTROL INPUT	NO dry contact
SAFETY EDGE COMPATIBILITY	optical or resistive (from 5 to 14 Ω)
AMBIENT WORKING TEMPERATURE	from -15° C to +55° C
WORKING TIME RSA HZ	80 secondes
RADIO FREQUENCY SIMU-Hz	433.42 MHz
SECURE COMMUNICATION	Encrypted control orders + Rolling code with 16 million possible combinations
NUMBER OF REMOTE CONTROL MEMORIZATION	32 remote controls
PROTECTION INDEX	IP44
DIMENSIONS	150 x 150 x 40mm
WEIGHT	680 g
INSULATION CLASS	Class 1, earth connection required




CONTROL IN SEQUENTIAL MODE:


... A SINGLE KEY CONTROLS THE UP/STOP/DOWN COMMANDS

When the RSA Hz is set to automatic, semi-automatic, sequential or sequential with button mode:

INDOOR RADIO CONTROL



Sequential Hz transmitter
Ref. 2008401



Micro-transmitter Hz
for lighting SEQ
Ref. 2008518

OUTDOOR RADIO CONTROLS



TSA+ remote control
Ref. 2007846



TS2 remote control
Ref. 2005326



SA Hz keypad
Ref. 2006029



INDOOR WIRED CONTROLS



Push button
LEGRAND MOSAÏC
Ref. 2006872



WATERPROOF PUSH BUTTON
Ref. 2006756

OUTDOOR WIRED CONTROLS



UNIVERSAL KEY SWITCH
(configured in sequential mode)
Ref. 2004964

OR

CONTROL IN 3-BUTTONS MODE

... 1 UP BUTTON, 1 DOWN BUTTON AND 1 STOP BUTTON

When the RSA Hz is set to 3-buttons mode:

INDOOR RADIO CONTROL



Wall transmitter
1 channel
Ref. 2008369



Remote control
1 canal
Ref. 2008799



Micro-transmitter Hz
for roller shutter RS
Ref. 2008519

OUTDOOR RADIO CONTROLS



TSA+ remote control
Ref. 2007846

INDOOR WIRED CONTROLS



ROTARY SWITCH
3 positions
Ref. 2006753

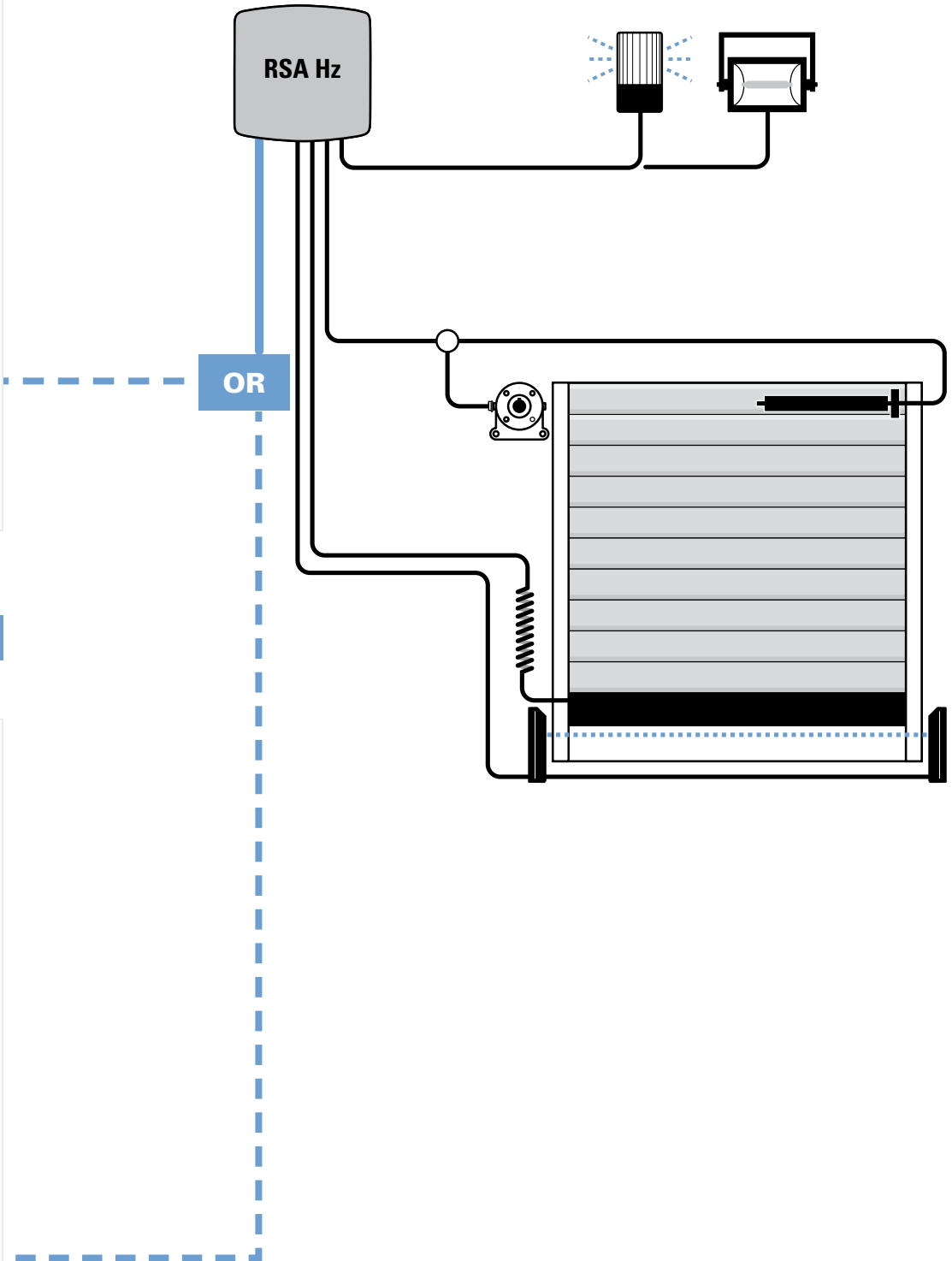
OUTDOOR WIRED CONTROLS



UNIVERSAL KEY SWITCH
(configured in 3-buttons mode)
Ref. 2004964



KEY SWITCH
3 positions
Ref. 2006752





METAL RING WITH CHROME FINISHING

REMOTE CONTROL 4 CHANNELS

USE:

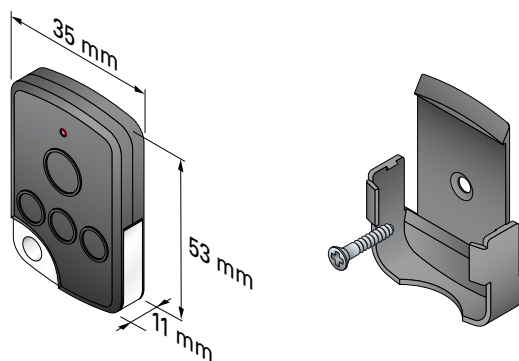
- Control in sequential mode, up to 4 RSA Hz or SA Hz standard receivers

DESCRIPTION	REFERENCE		
	x 1	x 10	x 16
TSA+ remote control (sold with support)	2007846	-	2008038
Wall support	-	2008886	-



- Highly practical, the attachment holder (supplied with the remote control) can be clipped onto a car's sun visor or attached to a wall.
- Sober design and high quality finish, consisting of a chrome-finished metal ring for attachment to a key ring.

SPECIFICATION



POWER SUPPLY	3 VDC lithium battery - type CR2430 (supplied)
NUMBER OF CHANNELS	4
PROTECTION INDEX	IP 30
RADIO FREQUENCY	433.42 MHz
PRODUCT CLASS	III
AMBIENT TEMPERATURE OF USE	- 20°C to + 70°C
SECURE COMMUNICATION	Encrypted control orders + Rolling code with 16 million possible combinations
RANGE	30 meters
WEIGHT	38 g
DIMENSIONS	53 x 35 x 11mm



RADIO CONTROL

TSA 2 REMOTE CONTROL

REMOTE CONTROL 2 CHANNELS

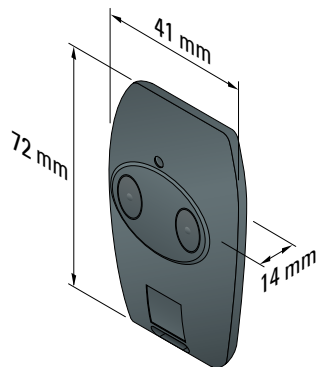
USE:

- Control in sequential mode, up to 2 RSA Hz or SA Hz standard receivers



DESCRIPTION	REFERENCE
TSA 2 remote control	2005326

SPECIFICATION



POWER SUPPLY	3 VDC lithium battery - type CR2430 (supplied)
NUMBER OF CHANNELS	2
PROTECTION INDEX	IP 30
RADIO FREQUENCY	433.42 MHz
PRODUCT CLASS	III
AMBIENT TEMPERATURE OF USE	- 20°C to + 60°C
SECURE COMMUNICATION	Encrypted control orders + Rolling code with 16 million possible combinations
RANGE	30 meters
WEIGHT	25 g
DIMENSIONS	72 x 41 x 14mm



RADIO CONTROL

RADIO TRANSMITTERS 1 CHANNEL



WALL AND MOBILE TRANSMITTER 1 CHANNEL

USE:


- Individual control.
- It can also be used to centralize the system.

DESCRIPTION	x1	REFERENCE x10	x100
1 channel wall transmitter	2008369	2008370	2008495
1 channel mobile remote control	2008799	-	-

Delivered with battery. Mobile version supplied with wall bracket (wall fixing screws not included in both cases)

Transmitters to custom (delivered without the frame):

DESCRIPTION	REFERENCES
WALL 1 CHANNEL TO CUSTOM x100	2009070
MOBILE 1 CHANNEL TO CUSTOM x120	2008816



COLLECTION OF COLOURED FRAMES TO CUSTOMIZE THE TRANSMITTER

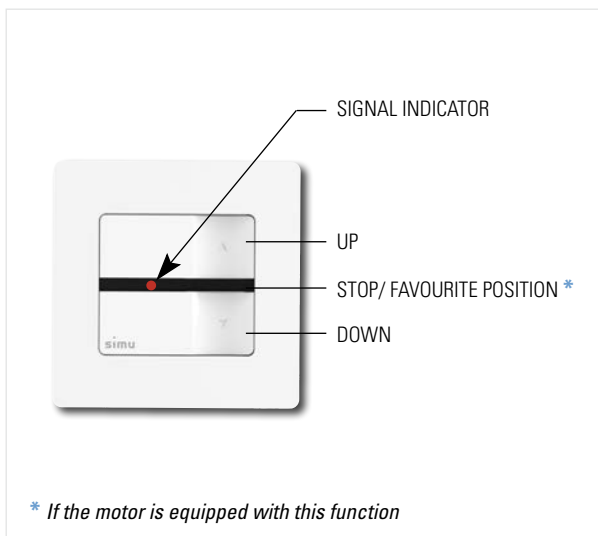
9 COLOURS AVAILABLE

									
Frames for wall version	9019766	9019767	9019768	9019769	9019770	9019771	9019772	9019773	9019774
Frames for mobile version	9019775	9019776	9019777	9019778	9019779	9019780	9019781	9019782	9019783

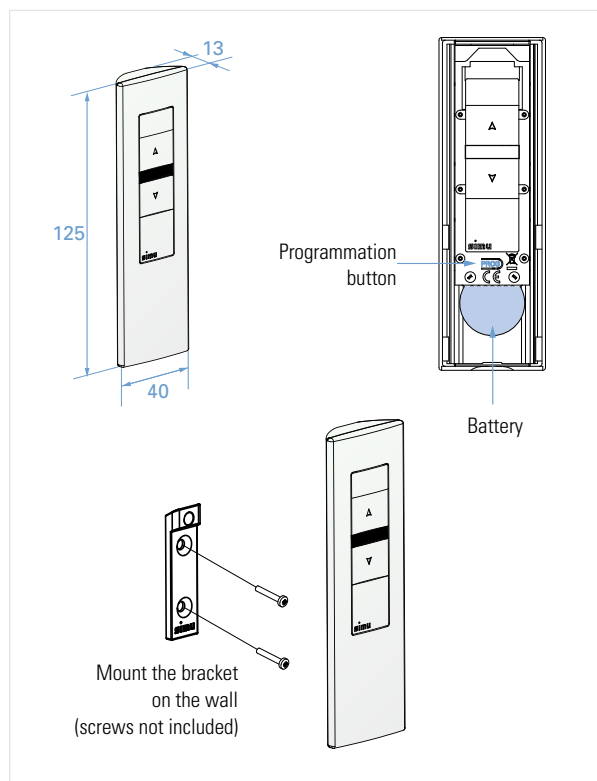
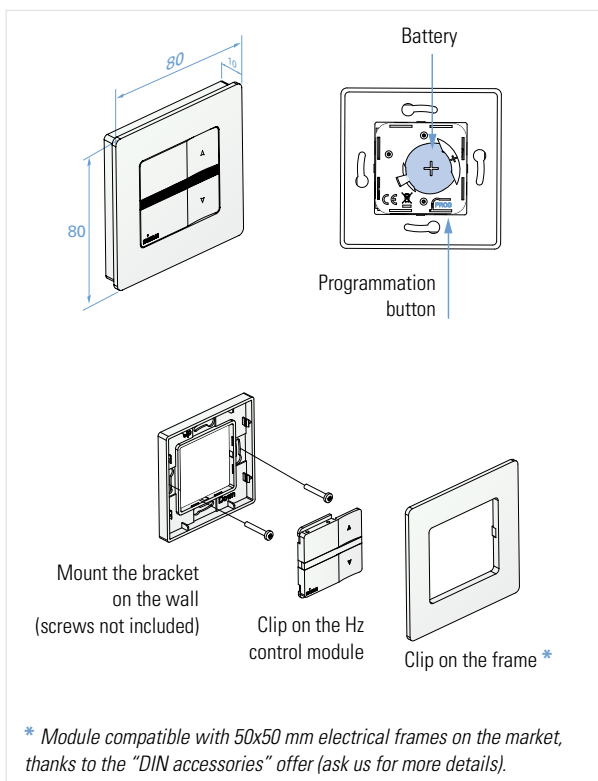
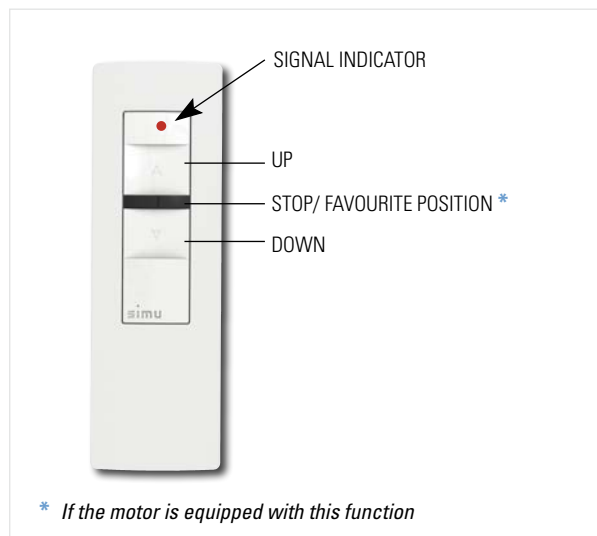
The frames are packaged individually

SPECIFICATION

WALL VERSION



MOBILE VERSION



POWER SUPPLY 3V CR2430 battery

RADIO RANGE **Wall version:** 150 meters in open field and 15 meters through 2 reinforced concrete walls

Mobile version: 200 meters in open field and 20 meters through 2 reinforced concrete walls

SIZE **Wall version:** 80x80x10 mm

Mobile version: 125x40x15 mm

OPERATING TEMPERATURE -10° to +60°C

RADIO FREQUENCY 433.42 MHz

PROTECTION INDEX IP30

PRODUCT CLASS III

COMPATIBILITY SIMU-Hz motors and receivers



SEQUENTIAL Hz TRANSMITTER

SEQUENTIAL Hz TRANSMITTER - 1 CHANNEL

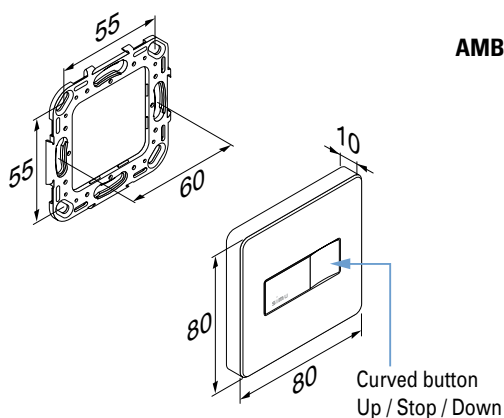


USE:

- Transmitter only for individual control.
- Not compatible with group or general control.
- Cannot be used for end-limit setting.

DESCRIPTION	PACKAGING	REFERENCE
Sequential Hz transmitter	x 1	2008401
Sequential Hz transmitter	x 100	2008402

SPECIFICATION



PRODUCT CLASS class III

POWER SUPPLY 3V - type CR2430 battery

AMBIENT TEMPERATURE OF USE from -10°C to +60°C

PROTECTION INDEX IP 30

RANGE ~200 m in free field

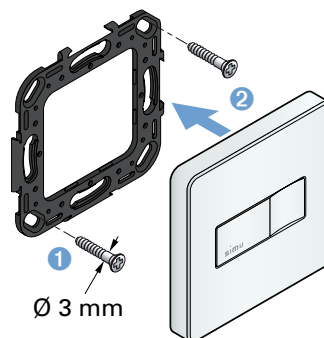
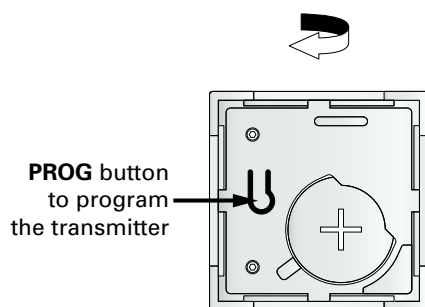
and ~20 m through 2 reinforced concrete walls
(depends on the environment and radio pollution)

RADIO FREQUENCY 433.42 MHz

COMPATIBILITY SIMU motors with integrated or external SIMU-Hz radio receiver, also with GM800 and GM1000 motors, RSA control boxes and micro Hz receiver for lighting.



ASSEMBLY



- 1 Attach the bracket to the wall
- 2 Clip the transmitter to the bracket

RADIO CONTROL



SA Hz RADIO KEYPAD



*Easy to install. Without wiring.
Backlit keys*

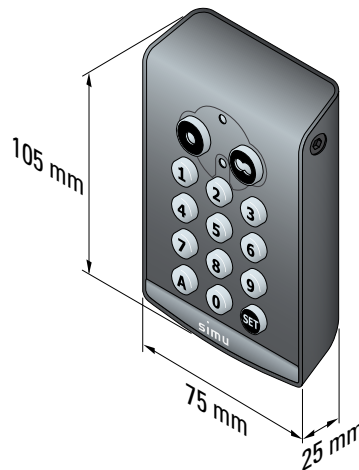
USE:

Secure control with user's code, up to 2 channels.

- 1 main code valid for the 2 control keys (full access).
- 4 secondary codes (possible), i.e. 2 per control key to give partial access to the property.

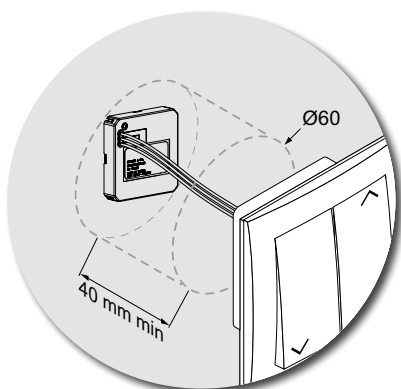
DESCRIPTION	REFERENCE
SA Hz radio keypad	2006029

SPECIFICATION



POWER SUPPLY	3 VDC lithium battery - type CR2450 (supplied)
USER'S CODE	4, 5 or 6 numbers
PROTECTION INDEX	IP 54
RADIO FREQUENCY	433.42 MHz
AMBIENT TEMPERATURE OF USE	- 20°C to + 60°C
SECURE COMMUNICATION	Encrypted control orders + Rolling code with 16 million possible combinations
RANGE	30 meters
NUMBER OF CHANNELS	2





FLUSH MOUNTED TRANSMITTER

... to control a SIMU-Hz Equipment from any switch

2 VERSIONS FOR 2 USES:

- RS version: to control a radio motor from a switch
- SEQ version: to control from a switch, in a sequential mode (ex. lighting)
- Cannot be used for end-limit setting.

DESCRIPTION	REFERENCE
Micro-Transmitter Hz for roller shutter RS	2008519
Micro-Transmitter Hz for lighting SEQ	2008518

Delivered with battery and 3 connection wires

SPECIFICATION

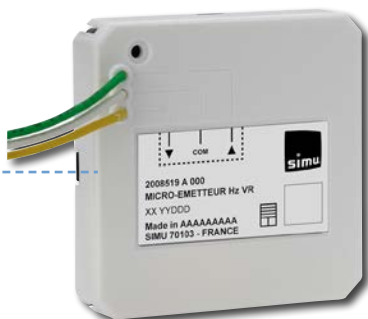
CLASS	III
POWER SUPPLY	lithium type 3V CR2430
AMBIENT TEMPERATURE OF USE	-10°C / +60°C
PRODUCT DIMENSIONS	45 x 45 x 9 mm
PROTECTION INDEX	IP 30
RADIO FREQUENCY	433,42 MHz - radio SIMU-Hz
RANGE	20 m through 2 reinforced concrete walls, depends on the environment and on the radio pollution

RS VERSION :

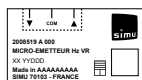
RADIO COMPATIBILITY	Compatible with the entire range of SIMU-Hz receivers and motors
SWITCH COMPATIBILITY	stable switch (Up / Down / Stop) unstable switch (Up / Down / Stop)

SEQ VERSION:

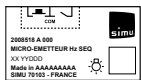
RADIO COMPATIBILITY	Compatible with the micro-receiver for lighting and with SIMU-Hz receivers and motors
SWITCH COMPATIBILITY	switch (ON/OFF) push button (ON/OFF)



Micro-transmitter for roller shutter (RS)



Micro-transmitter for lighting (SEQ)



Delivered with 3 connection wires to the switch.

RADIO RECEIVER



MICRO-RECEIVER Hz FOR LIGHTING



EXTERNAL RADIO RECEIVER

...for lighting

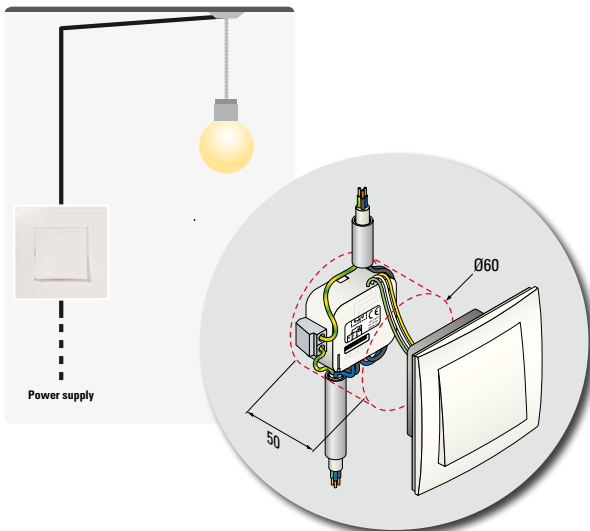
USE:

- allows the control of a light with SIMU-Hz radio technology, **while retaining the original wired switch in instable mode.**

DESCRIPTION	REFERENCE
Micro-receiver Hz for lighting	2008193

Delivered with 3 connection wires to the switch (Only 2 wires have to connect)

FUNCTIONS AND PRODUCT BENEFITS



QUICK AND EASY TO INSTALL:

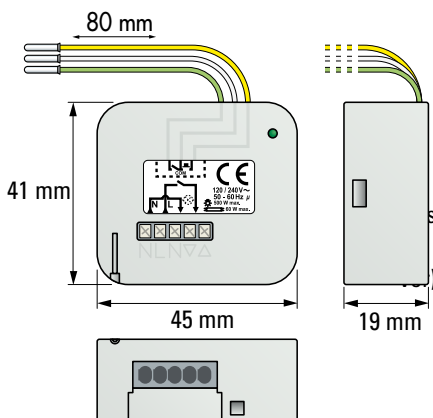
Thanks to its compact size and automatic terminal block, it fits behind the switch in the electrical wallbox (Recommended wallbox depth: 50 mm minimum).

COMPATIBLE with all radio SIMU-Hz management solutions whose control from a smartphone

USEFUL:

For remote control of lighting, to program or to control from the same device the shutters and lights.

SPECIFICATION



PRODUCT CLASS	class III
POWER SUPPLY	230 volts 50/60Hz or 120 Volts 50/60Hz
AMBIENT TEMPERATURE OF USE	-20°C / +55°C
PROTECTION INDEX	IP 20 (after installation)
CONTROL OUTPUT 500 W	for halogen lamps
CONTROL OUTPUT 60 W	for CFL/LEDs
TRANSMITTER COMPATIBILITY	The entire range of SIMU-Hz transmit- (maximum of 12 transmitters per recei-)
SWITCH COMPATIBILITY	stable and push button
RADIO FREQUENCY	433.42 MHz



OTHER CONTROLS

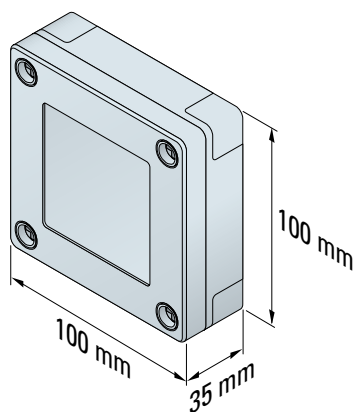
SA Hz STANDARD RECEIVER



This receiver allows to control one or two wired (SD510, for example) or radio automations (automation for a gate, for example) with the SIMU-Hz radio technology and to control them with the remote TSA+, TSA2, the SA Hz keypad and all transmitters from the SIMU-Hz range.

DESCRIPTION	REFERENCE
SA Hz standard receiver	2006380

SPECIFICATION



POWER SUPPLY	24 VDC / 3 A and 24 VAC / 3 A
PROTECTION INDEX	IP 66
RADIO FREQUENCY	433.42 MHz
AMBIENT WORKING TEMPERATURE	from -20°C to +70°C
OPERATING MODE	sequential
SECURE COMMUNICATION	Encrypted control orders + Rolling code with 16 million possible combinations
WIRING	2 x 0.75 mm ² wires, H05 RRF
NUMBER OF RELAYS	2
NUMBER OF CHANNELS	Possibility to memorize 16 channels per relay, i.e. 32 channels



LEGRAND MOSAÏC PUSH BUTTON



Dimensions : 80 x 80 mm

For indoor installation, in flush or surface mounted assembly with a surface mounted box (not supplied).

2 mechanisms available:

- screw-mounted for both new and renovation markets
- cramp-mounted for the renovation market only

DESCRIPTION	VERSION	REFERENCE
Screw-mounted mechanism LEGRAND MOSAÏC	Push Button	2006872
Cramp-mounted mechanism LEGRAND MOSAÏC	Push Button	2006875

Attention: Mechanism and front plate sold separately

ACCESSORIES	REFERENCE
Mosaic front plate	9014519
Surface mounting box	9014520

UNIVERSAL KEY BOX



Key switch with front cover for 2-positions operating (up/down)



Key switch with front cover for sequential operating (up/stop/down)

USE:

- Individual control.
- Grouped control, with control box (page 128).
- Multipoint control by sequence switch: Control a motor with several control points.

DESCRIPTION	REFERENCE
Universal key box	2004964

Delivered with 2 identical keys - type 455 and 1 front plate for sequential mode

- Metal key switch
- 3 configurable operating modes: stable, unstable, mixed
- Surface-mounting or flush-mounting
- Dimensions: 85 x 85 x 60 mm
- Protection index: IP 54
- Supplied with 3 keys + 2 front covers

KEY SWITCH -3 POSITIONS



Dimensions: 74 x 74 x 74 mm

USE:

- Individual control.
- Grouped control, with control box

DESCRIPTION	REFERENCE
Key switch	2006752

Delivered with 2 identical keys

ROTARY SWITCH -3 POSITIONS



Dimensions: 74 x 74 x 72 mm

USE:

- Individual control
- Grouped control, with control box

DESCRIPTION	REFERENCE
Stable	2006753
Unstable	2006754
Mixed	2006755

- 2 normally open contacts.
- Surface mounted assembly.
- Waterproof plastic box (protection index IP 65) enabling outdoor installation.

PUSH BUTTON



Dimensions: 74 x 74 x 62 mm

IP65

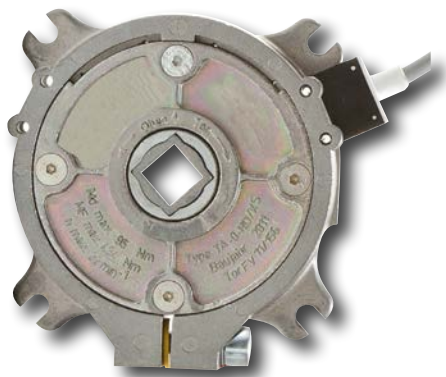
USE:

- Surface-mounting
- Waterproof plastic box (protection index IP 65) allowing an outdoor installation.

DESCRIPTION	REFERENCE
Push button SIMU	2006756

SAFETY ACCESSORIES

SAFETY BRAKES

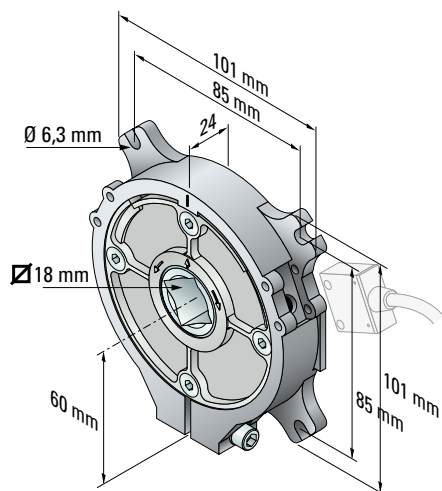




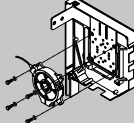
USE:

- The safety brake detects a sudden overspeed if there is a shutter suspension component failure and it blocks the descent of the shutter and cuts power of the motor.

DESCRIPTION	REFERENCE
Safety brake 95Nm, \square 18, cable 1m	2007927
Safety brake 95Nm, \square 18, cable 5m	2007928
Safety brake 147Nm, \square 18, cable 1m	2007929
Safety brake 147Nm, \square 18, cable 5m	2007930

SPECIFICATIONS



REFERENCE				
	2007927	2007928	2007929	2007930
CABLE LENGTH	1 m	5 m	1 m	5 m
ADMISSIBLE TORQUE	95 Nm		147 Nm	
INTERCEPTING MOMENT	545 Nm		812 Nm	
WORKING SPEED	22 rpm		22 rpm	
WEIGHT	1 Kg		1 Kg	
SCREWING (not supplied)	4 screws: M6 x 20 DIN 912 Zn 8,8 4 nuts: HU6 DIN 934 4 washers: Ø6,4 x Ø18 x 1,6 DIN 9021Zn		4 screws: M6 x 20 DIN 912 Zn 8,8 4 nuts: HU6 DIN 934 4 washers: Ø6,4 x Ø18 x 1,6 DIN 9021Zn	
BRACKETS	 Safety brakes 95 and 147 Nm are directly screwed on side plates (without any bracket)			

SELECTION CHARTS

TYPE OF TUBE	SAFETY BRAKE	SAFETY BRAKE
	95 Nm	145 Nm
OCTA 70	86 Kg* - 217 Kg**	91 Kg* - 336 Kg**
LP 89 (DEPRAT)	77 Kg* - 171 Kg**	80 Kg* - 264 Kg**
101.6 x 3.6 / 102 x 2	121 Kg	175 Kg
133 x 4 / 133 x 2.5	96 Kg	160 Kg

* Maximum value according to the resistance of the tube
 ** Maximum value accepted by the safety brake

SAFETY ACCESSORIES

OPTICAL SAFETY EDGE



USE:

- If an obstacle is preventing closure, the integrated photocells set detects the flattening of the rubber profile.
- A safety edge is composed of a rubber profile, a rail and a connection kit with photocells.

SPECIFICATION

SAFETY Cat. 2 according to DIN EN 954-1
PROTECTION INDEX Housing IP 65
AMBIENT TEMPERATURE OF USE - 20°C to + 55°C
MAX.DOOR LENGHT 10 meters

COMPONENTS FOR HEIGHT OF SLAT MAX. 75 MM

RAIL	RUBBER PROFILE	CONNECTION KIT
	<p>This profile can be directly integrated in certain final slats: Heroal, Alulux, Alukon, Lakal and Building Plastics</p>	
<p>9016875 10 rails of 3 meters</p>	<p>9015894 50 m coil strip</p>	<p>9015893</p>

COMPONENTS FOR HEIGHT OF SLAT MAX. 75 TO 110 MM

RAIL	RUBBER PROFILE	CONNECTION KIT
	<p>This profile can be directly integrated in certain final slats: Heroal, Alulux and Lakal</p>	
<p>9013406 9016704 10 rails of 2.5 meters</p>	<p>9016703 40 m coil strip</p>	<p>9015946</p>

SAFETY ACCESSORIES

PHOTOCELLS

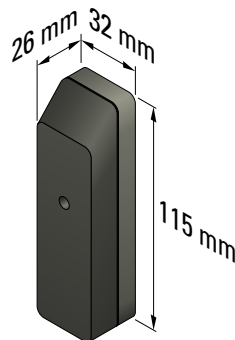


USE:

It detects obstacles preventing opening or closing.

DESCRIPTION	REFERENCE
Photocells barrier	9012888

SPECIFICATION

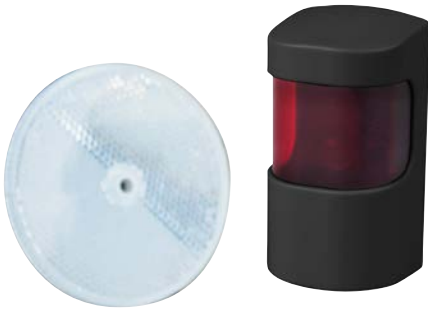


POWER SUPPLY	from 20 VAC to 31 VAC or 22 VDC to 30 VDC
RANGE	max 30m (reduced in case of fog or rain)
PROTECTION INDEX	IP 54
AMBIENT TEMPERATURE OF USE	- 15°C to + 70°C
DIMENSIONS	115 x 32 x 26mm

SAFETY ACCESSORIES

REFLEX CELL

CELL + REFLECTOR

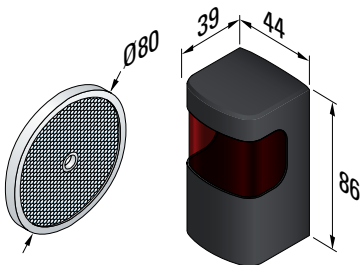


90 ° rotatable - 3 possible positions
Simplified wiring. Only 1 cell to connect.

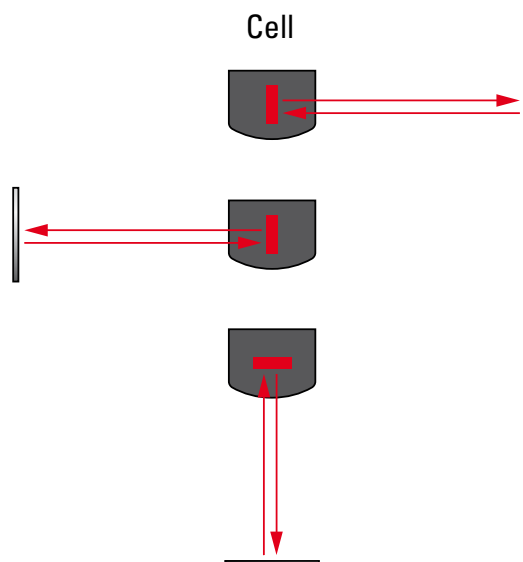
- The cell detects obstacles preventing opening or closing of the door.
- Polarized cell: the beam can be reflected only by the reflector.

DESCRIPTION	REFERENCE
Cellule Reflex	2008394

SPECIFICATION



- POWER SUPPLY** 12-24 VDC / VAC (-15% +20%)
- RANGE** max 12m (reduced in case of rain)
- PROTECTION INDEX** IP 66
- Ø REFLECTOR** 80mm
- SUPPLIED WITH** - 1 transmitter cell
- 1 reflector
- AMBIENT WORKING TEMPERATURE** from -25°C to +60°C



SAFETY ACCESSORIES

ORANGE LIGHT

OPENING/CLOSING SIGNALLED BY LIGHT

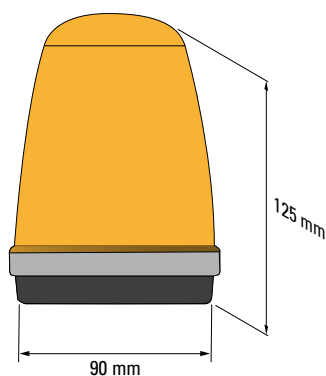


The signal lets users and people nearby know that the door will open. In a warehouse, it is used to signal the entry of a vehicle, for example.

DESCRIPTION	REFERENCE
Universal orange light 230/24	9019453

Screws and wall plugs included

SPECIFICATION



USE	in fixed or flashing mode
POWER SUPPLY	85-265VAC or 12-24 VAC/DC
FLICKER FREQUENCY	1 Hz
PROTECTION INDEX	IP54
LED LIGHTING POWER	< 2,5W
AMBIENT WORKING TEMPERATURE	from -20°C to 60°C
WEIGHT	180 g

NOTE



Photo credit: SIMU, Fotolia, Charles Etouard Gil, Pierre Guérat — Realization SIMU - 04/18 - SIMU SAS, capital 5 000 000 euros, RCS Vesoul 425 650 090. This document is not legally binding. We reserve ourselves the right to make any useful modification in order to constantly develop and improve our tender. SIMU shall not be held responsible for misuse by non-professionals.

BP 71
70103 GRAY cedex

Tél. +33 (0)3 84 64 75 00

Fax +33 (0)3 84 64 75 99

service@simu.com

www.simu.com

Visit www.simu.com



E-catalogue



Manuals



Videos



Recommendations



FAQ

