



# Tubular motors





# Technology Versatility Practicality

## TECHNOLOGICAL SOLUTIONS FOR SECURE OPERATION

- Tubular gearmotors (Ø 35mm and Ø 45mm) equipped with an encoder and an electronic limit switch for total control of opening and closure movement.
- Tubular gearmotors (Ø 45mm; 20,30 and 50Nm) capable of interfacing on “Bus Line KNX” to directly receive commands and information from the other network devices, without requiring further connections.
- Radio operation with dedicated 434.15 MHz: frequency: more immune to disturbances and interference compared to the standard frequency of 433.92 MHz and with a higher wall and obstacle penetration compared to the frequency of 868.30 MHz.
- Wall (Artemis) or portable (Proteo) transmitters capable of controlling one or more automations simultaneously, or multiple groups of awnings and shutters.
- Vibration anemometer sensors (Syroco).
- Fitted, miniature control modules (Dev)





## VERSATILITY

V2 offers a complete range of automations capable of moving shutters up to 165 Kg in weight, and awnings with arm extension up to 5 m long. Over 100 different models of adaptors and accessories (crowns, pulleys, walls supports, etc.) for installation of tubular gearmotors.



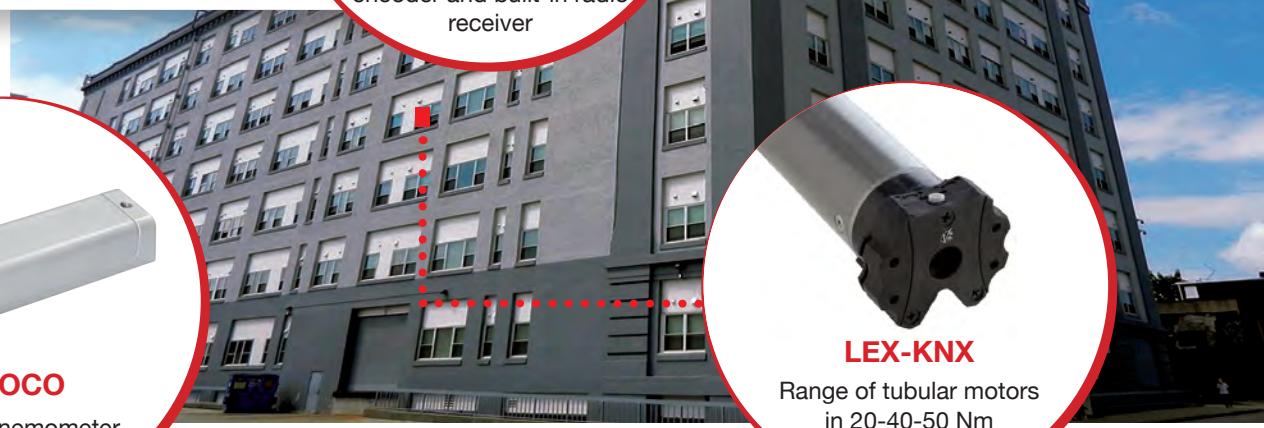
### LEX-RFE

Tubular motor Ø 45 mm with electronic limit switch, encoder and built-in radio receiver



### SYROCO

Vibration anemometer sensor

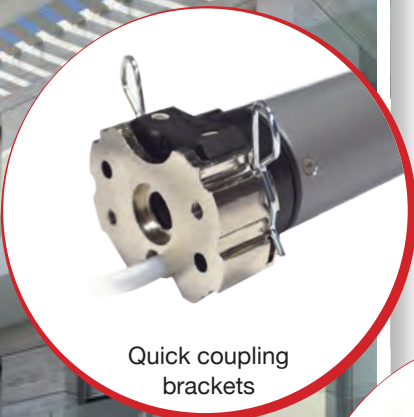


### LEX-KNX

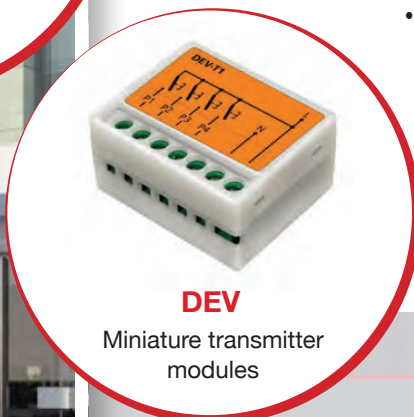
Range of tubular motors in 20-40-50 Nm version

## PRACTICALITY

- Facilitated installation of the tubular gearmotors thanks to particular quick coupling brackets (optional).
- Always with 2 metres of already wired cabling, supplied with the motor and the possibility of connecting an external button to control automation, including on models equipped with an integrated radio receiver.
- The miniature modules of the Dev line, installed directly inside normal electric boxes, are perfect to control devices which cannot be reached directly via cable.cavo.



Quick coupling brackets



### DEV

Miniature transmitter modules

# INDEX OF PRODUCTS TUBULAR MOTORS



## Ø35 tubular motors

6

**veo**

7

**veo-rfe**




---

## Ø45 tubular motors

10

**lex**

11

**lex-rm**

12

**lex-fe**

13

**lex-rfe**

14

**lex-rfe-tc**

15

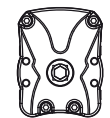
**lex-rfo**

16

**lex-h**

17

**lex-hrm**




---

## Ø59 tubular motors

24

**roll**

25

**hand-roll**







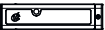








# INDEX OF PRODUCTS

## TUBULAR MOTORS



Transmitters	30 31	proteo	
	32 33	artemis	
<hr/>			
Miniaturized control modules	34 35	dev	
<hr/>			
Control units	36	cu3 - cu4 - cu5	
	37	cu1	
	38	prg2	
	38	prg3	
<hr/>			
Sensors	39	syroco	
	40	mistral	
	40	hurricane	
	41	hurricane-rs	
	41	typhoon	

# TUBULAR MOTORS

## veo

### Tubular motor Ø 35 mm with mechanical limit switch

#### PLUS

- Mechanical limit switch easy to adjust and reliable over time
- Compact and noiseless, ideal for indoor installations
- Extremely small size, particularly suitable for installations in narrow spaces
- 2 meters of cable wired to the motor



### TECHNICAL FEATURES

MODEL	VEO6-230V	VEO10-230V	VEO13-230V
CODE	27A022	27A023	27A029
Maximum load* (Kg)	17	27	35
Torque (Nm)	6	10	13
Speed (rpm)	28	17	14
Power supply (Vac - Hz)	230 - 50	230 - 50	230 - 50
Maximum electric power (W)	121	121	121
Rated current (A)	0.53	0.53	0,53
Working time (min)	4	4	4
Limit switch range (n.)	36	36	36
Length - L - (mm)	447	447	447
Protection degree (IP)	44	44	44

\* Value calculated with roller Ø 40 mm

#### CABLE LENGTH 2 m





# veo-rfe

**Tubular motor Ø 35 mm with electronic limit switch, encoder and built-in radio receiver (434.15 MHz)**

## PLUS

- Maximum control of the motor movement thanks to the use of encoder and electronic limit switch
- Automation control, limit switch setting and storage of new transmitters are radio controlled
- Setting of limit switch intermediate position
- Possibility to connect an external button to control the automation
- 2 meters of cable wired to the motor



## TECHNICAL FEATURES

MODEL	VEO-RFE6-230V	VEO-RFE10-230V
CODE	27A024	27A025
Maximum load* (Kg)	17	27
Torque (Nm)	6	10
Speed (rpm)	28	17
Power supply (Vac - Hz)	230 - 50	230 - 50
Maximum electric power (W)	121	121
Rated current (A)	0.53	0.53
Working time (min)	5	5
Frequency (MHz)	434.15	434.15
Length - L - (mm)	505	505
Protection degree (IP)	44	44

\* Value calculated with roller Ø 40 mm

### CABLE LENGTH 2 m

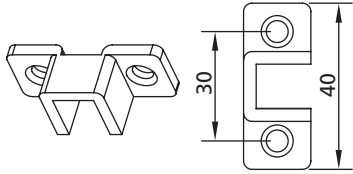
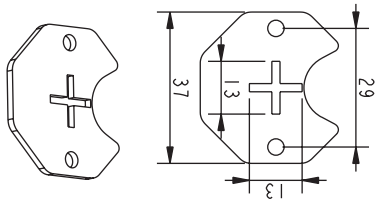
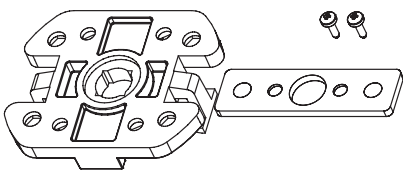




# ACCESSORIES

TUBE	PULLEY	CROWN
<p>OCTAGONAL Ø 40</p>	<p>COD. 162710</p>	<p>COD. 162711</p>
<p>ROUND Ø 40</p>	<p>COD. 162712</p>	<p>COD. 163423</p>
<p>ROUND Ø 44</p>	<p>COD. 162713</p>	
<p>ROUND Ø 50</p>	<p>COD. 162757</p>	<p>COD. 162709</p>
<p>CORRUGATED NOTCH Ø 60</p>	<p>COD. 162782</p>	<p>COD. 162783</p>



## ACCESSORIES

ACCESSORIES	DESCRIPTION	CODE
	Wall bearing 10 x 10 mm (max. 10 Nm)  <b>PL</b>	<b>162729</b>
	Wall bearing (max. 10Nm)  <b>MT</b>	<b>163412</b>
	Snap-in bearing (max. 10Nm)  <b>PL</b>	<b>162849</b>
	Box with double self-locking push button  <b>PL</b>	<b>162886</b>
	Box with double spring release push button  <b>PL</b>	<b>162887</b>

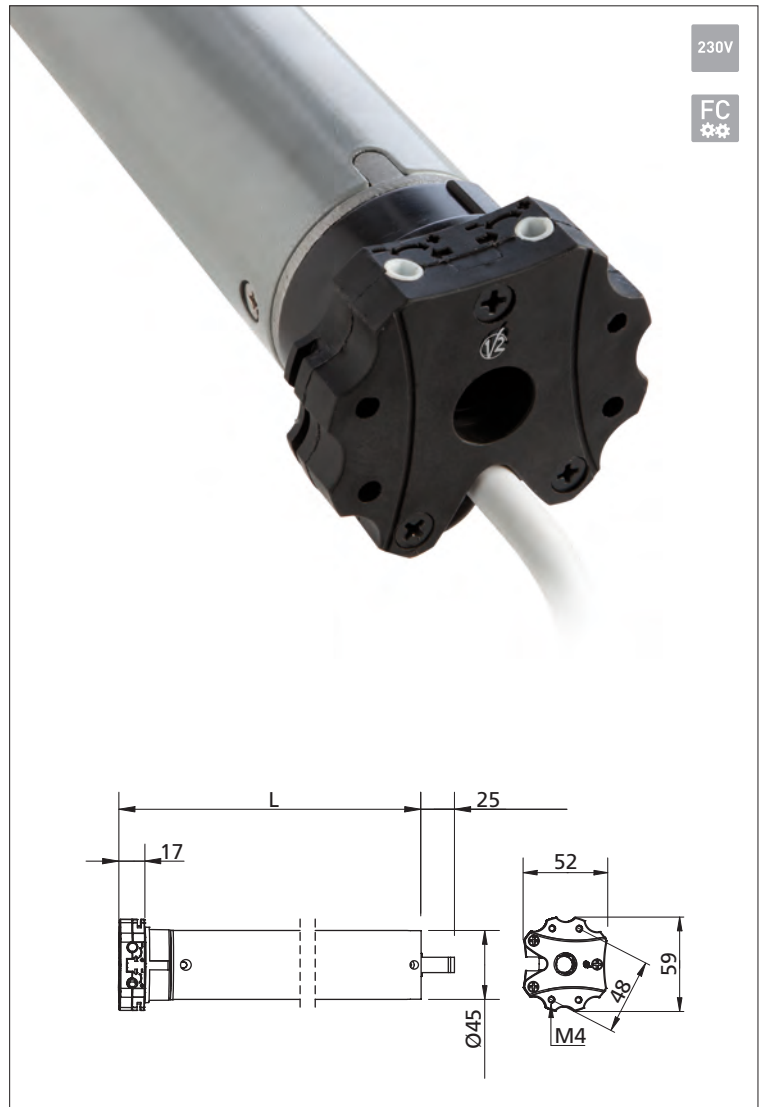
TUBULAR MOTORS

lex

Tubular motor Ø 45 mm with mechanical limit switch

PLUS

- Mechanical limit switch easy to adjust and reliable over time
- Compact head for easy installation
- Rapid fixing bracket for easy assembly of the motor (accessory)
- 2 meters of cable wired to the motor



230V

FC

TECHNICAL FEATURES

MODEL	LEX20-230V	LEX30-230V	LEX40-230V	LEX50-230V	LEX60-230V
CODE	27B222	27B223	27B224	27B225	27B311
Maximum load* (Kg)	35	55	80	95	114
Torque (Nm)	20	30	40	50	60
Speed (rpm)	15	15	15	12	8
Power supply (Vac - Hz)	230 - 50	230 - 50	230 - 50	230 - 50	230 - 50
Maximum electric power (W)	145	191	198	205	208
Rated current (A)	0.64	0.83	0.86	0.89	0.89
Working time (min)	4	4	4	4	4
Limit switch range (n.)	22	22	22	22	22
Length - L - (mm)	450	480	500	500	510
Protection degree (IP)	44	44	44	44	44

\* Value calculated with roller Ø 50 mm

CABLE LENGTH 2 m



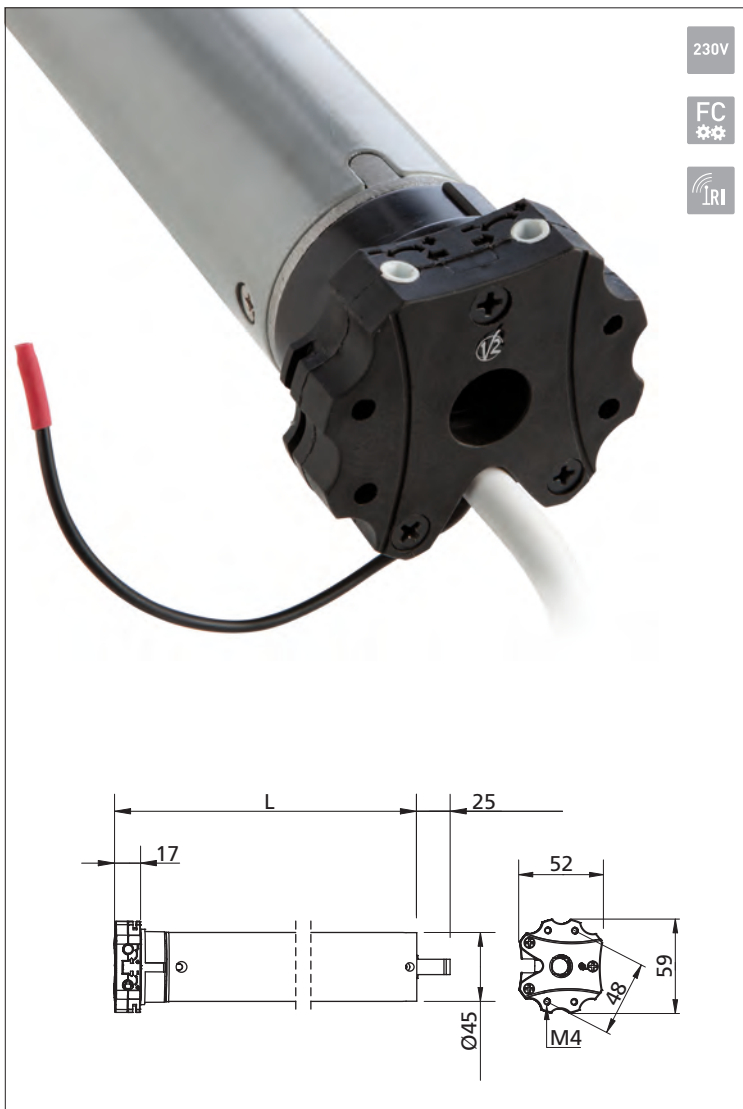


# lex-rm

**Tubular motor Ø 45 mm with mechanical limit switch and built-in radio receiver (434.15 MHz)**

## PLUS

- Mechanical limit switch easy to adjust and reliable over time
- Automation, storage of new transmitters, and sensor threshold are radio controlled
- Possibility to connect an external button to control the automation
- Rapid fixing bracket for easy assembly of the motor (accessory)
- 2 meters of cable wired to the motor



## TECHNICAL FEATURES

MODEL	LEX-RM20-230V	LEX-RM30-230V	LEX-RM40-230V	LEX-RM50-230V
CODE	27B226	27B227	27B228	27B229
Maximum load* (Kg)	35	55	80	95
Torque (Nm)	20	30	40	50
Speed (rpm)	15	15	15	12
Power supply (Vac - Hz)	230 - 50	230 - 50	230 - 50	230 - 50
Maximum electric power (W)	145	191	198	205
Rated current (A)	0.64	0.83	0.86	0.89
Working time (min)	4	4	4	4
Limit switch range (n.)	22	22	22	22
Frequency (MHz)	434.15	434.15	434.15	434.15
Length - L - (mm)	660	660	660	660
Protection degree (IP)	44	44	44	44

\* Value calculated with roller Ø 50 mm

### CABLE LENGTH 2 m



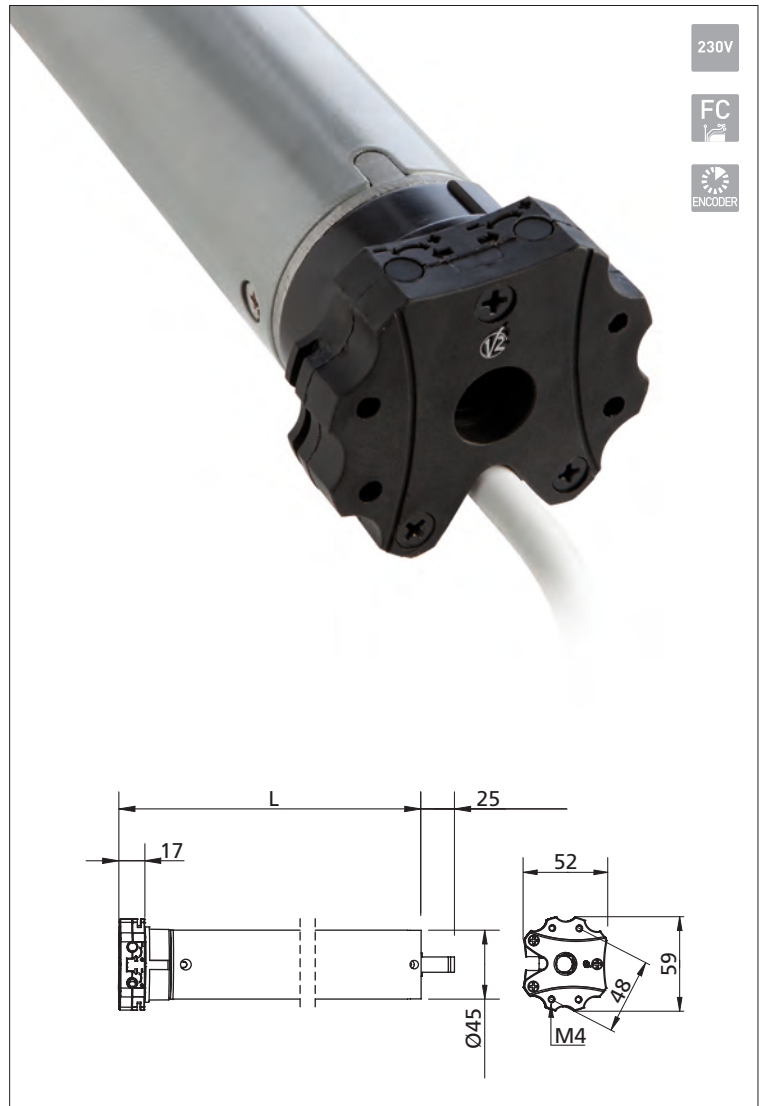
## TUBULAR MOTORS

## lex-fe

**Tubular motor Ø 45 mm with electronic limit switch and encoder**

## PLUS

- Maximum control of the motor movement thanks to the use of encoder and electronic limit switch
- Obstacle detection (only with shutters equipped with SICUR BLOCK)
- Quick programming of the limit switches by using the accessory device fast-prog
- Automation control via 2 external buttons (OPEN and CLOSE)
- Rapid fixing bracket for easy assembly of the motor (accessory)



## TECHNICAL FEATURES

MODEL	LEX-FE20-230V	LEX-FE30-230V	LEX-FE40-230V	LEX-FE50-230V
CODE	27B230	27B231	27B232	27B233
Maximum load* (Kg)	35	55	80	95
Torque (Nm)	20	30	40	50
Speed (rpm)	15	15	15	12
Power supply (Vac - Hz)	230 - 50	230 - 50	230 - 50	230 - 50
Maximum electric power (W)	145	191	198	205
Rated current (A)	0.64	0.83	0.86	0.89
Working time (min)	5	5	5	5
Length - L - (mm)	550	660	660	660
Protection degree (IP)	44	44	44	44

\* Value calculated with roller Ø 50 mm

## CABLE LENGTH 2 m



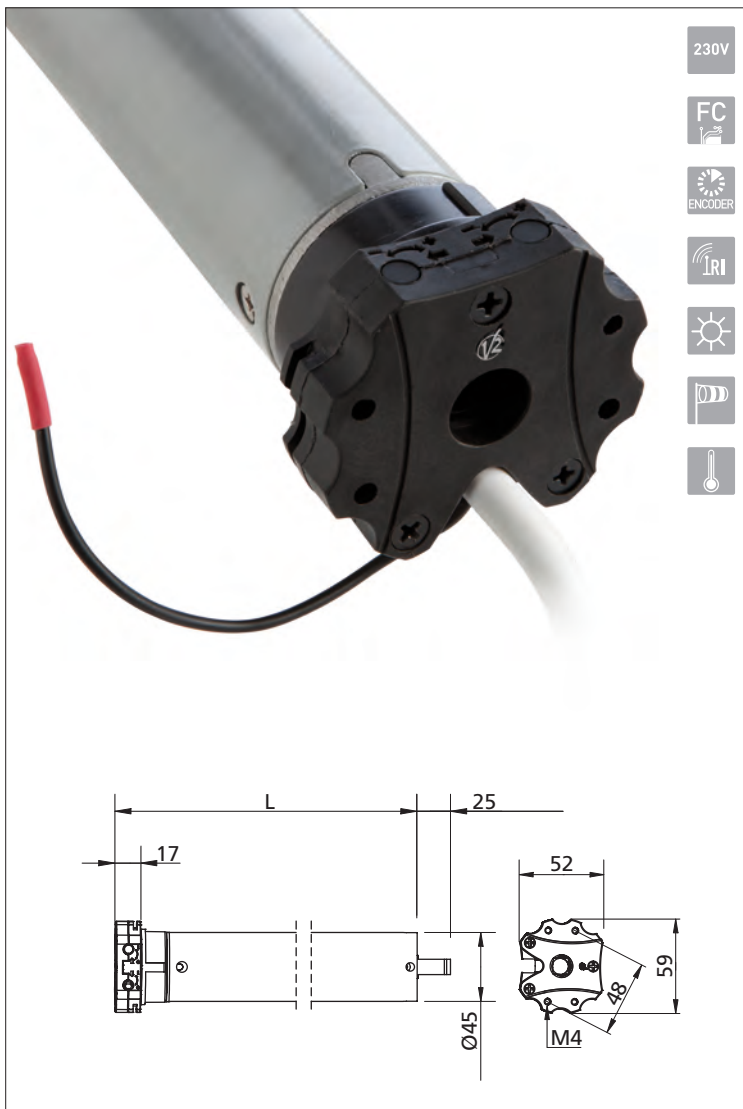


# lex-rfe

**Tubular motor Ø 45 mm with electronic limit switch, encoder and built-in radio receiver (434.15 MHz)**

## PLUS

- Maximum control of the motor movement thanks to the use of encoder and electronic limit switch
- Obstacle detection (only with shutters equipped with SICUR BLOCK)
- Setting of limit switch intermediate position
- Automation control, storage of new transmitters, limit switch setting, and sensor threshold are radio controlled
- Rapid fixing bracket for easy assembly of the motor (accessory)
- Possibility to connect an external button to control the automation



## TECHNICAL FEATURES

MODEL	LEX-RFE20-230V	LEX-RFE30-230V	LEX-RFE40-230V	LEX-RFE50-230V
CODE	27B234	27B235	27B236	27B237
Maximum load* (Kg)	35	55	80	95
Torque (Nm)	20	30	40	50
Speed (rpm)	15	15	15	12
Power supply (Vac - Hz)	230 - 50	230 - 50	230 - 50	230 - 50
Maximum electric power (W)	145	191	198	205
Rated current (A)	0.64	0.83	0.86	0.89
Working time (min)	5	5	5	5
Frequency (MHz)	434.15	434.15	434.15	434.15
Length - L - (mm)	550	660	660	660
Protection degree (IP)	44	44	44	44

\* Value calculated with roller Ø 50 mm

### CABLE LENGTH 2 m



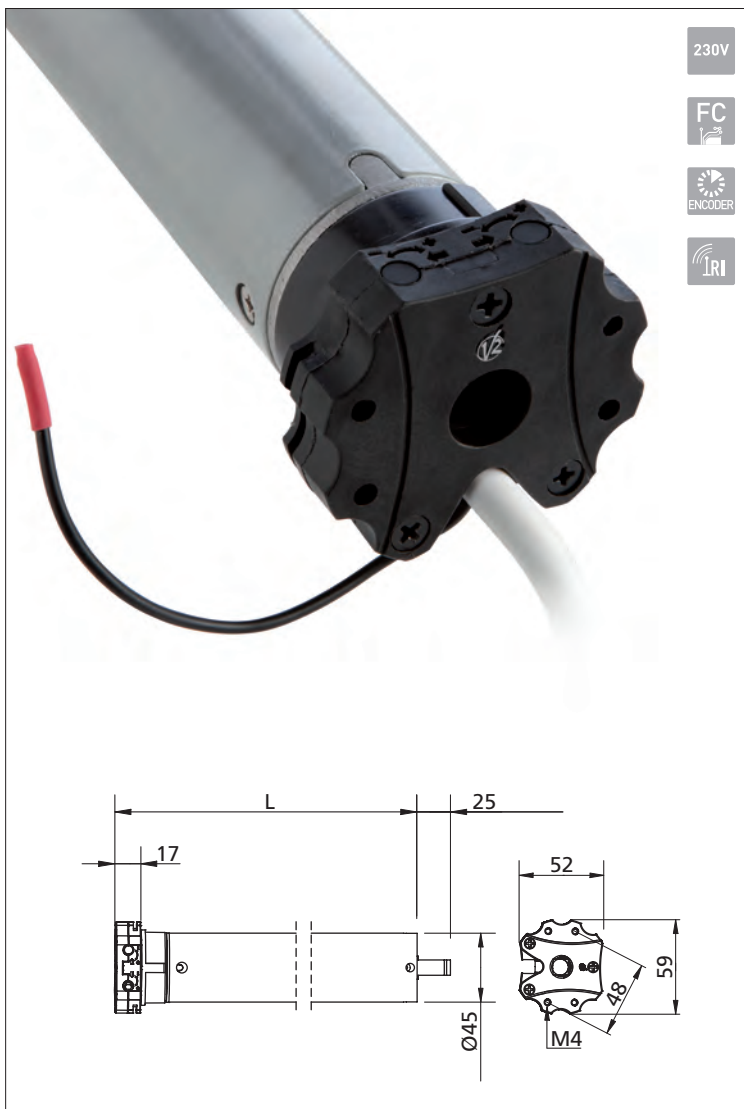
TUBULAR MOTORS

# lex-rfe-tc

**Tubular motor Ø 45 mm for drop awnings. Electronic limit switch, encoder and built-in radio receiver (434.15 MHz)**

## PLUS

- Maximum control of the motor movement thanks to the use of encoder and electronic limit switch
- Automation control, storage of new transmitters, limit switch setting, and sensor threshold are radio controlled
- Rapid fixing bracket for easy assembly of the motor (accessory)
- Possibility to connect an external button to control the automation
- Possibility to control the fastening of retainers automatically or manually



## TECHNICAL FEATURES

MODEL	LEX-RFE-TC 30-230V	LEX-RFE-TC 50-230V
CODE	27B288	27B289
Maximum load* (Kg)	55	95
Torque (Nm)	30	50
Speed (rpm)	15	12
Power supply (Vac - Hz)	230 - 50	230 - 50
Maximum electric power (W)	191	205
Rated current (A)	0.83	0.89
Working time (min)	5	5
Frequency (MHz)	434.15	434.15
Length - L - (mm)	660	660
Protection degree (IP)	44	44

\* Value calculated with roller Ø 50 mm

### CABLE LENGTH 2 m

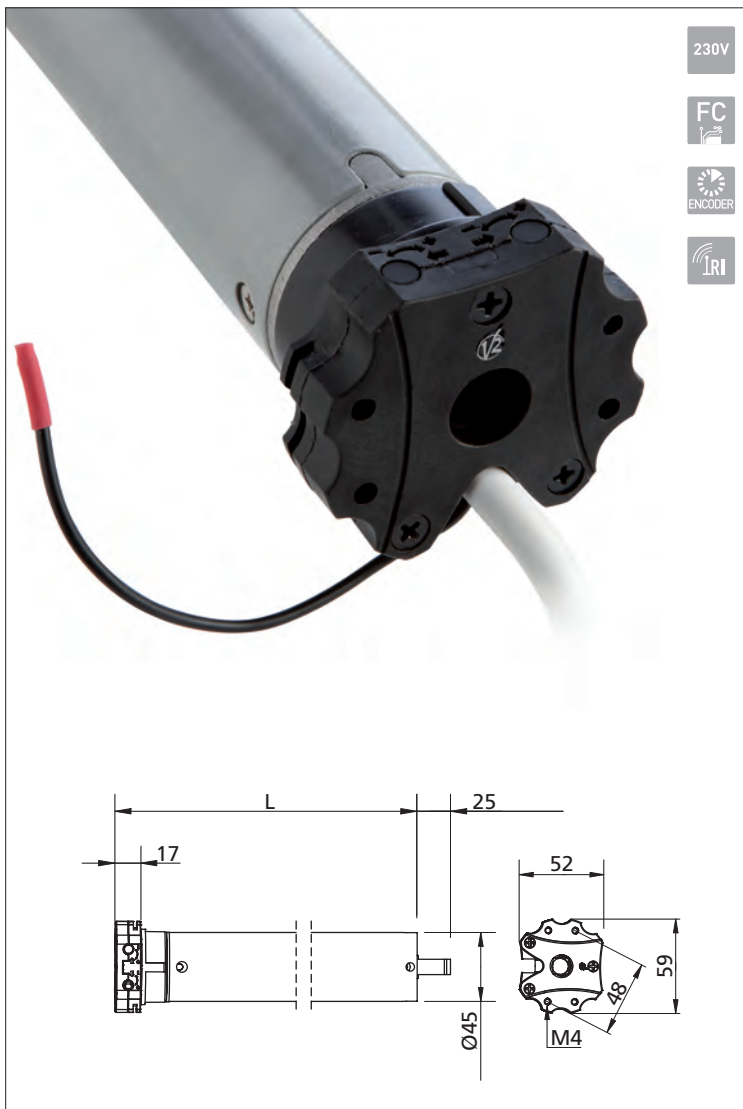


# lex-rfo

**Tubular motor Ø 45 mm for shutters with adjustable louvers. Electronic limit switch, encoder and built-in radio receiver (434.15 MHz)**

## PLUS

- Maximum control of the motor movement thanks to the use of encoder and electronic limit switch
- Automation control, limit switch setting and storage of new transmitters are radio controlled
- Adjustment of louvers opening position.
- Rapid fixing bracket for easy assembly of the motor (accessory)
- Possibility to connect an external button to control the automation



## TECHNICAL FEATURES

MODEL	LEX-RFO40-230V	LEX-RFO50-230V
CODE	27B277	27B278
Maximum load* (Kg)	80	95
Torque (Nm)	40	50
Speed (rpm)	15	12
Power supply (Vac - Hz)	230 - 50	230 - 50
Maximum electric power (W)	198	205
Rated current (A)	0.86	0.89
Working time (min)	5	5
Frequency (MHz)	434.15	434.15
Length - L - (mm)	660	660
Protection degree (IP)	44	44

\* Value calculated with roller Ø 50 mm

### CABLE LENGTH 2 m



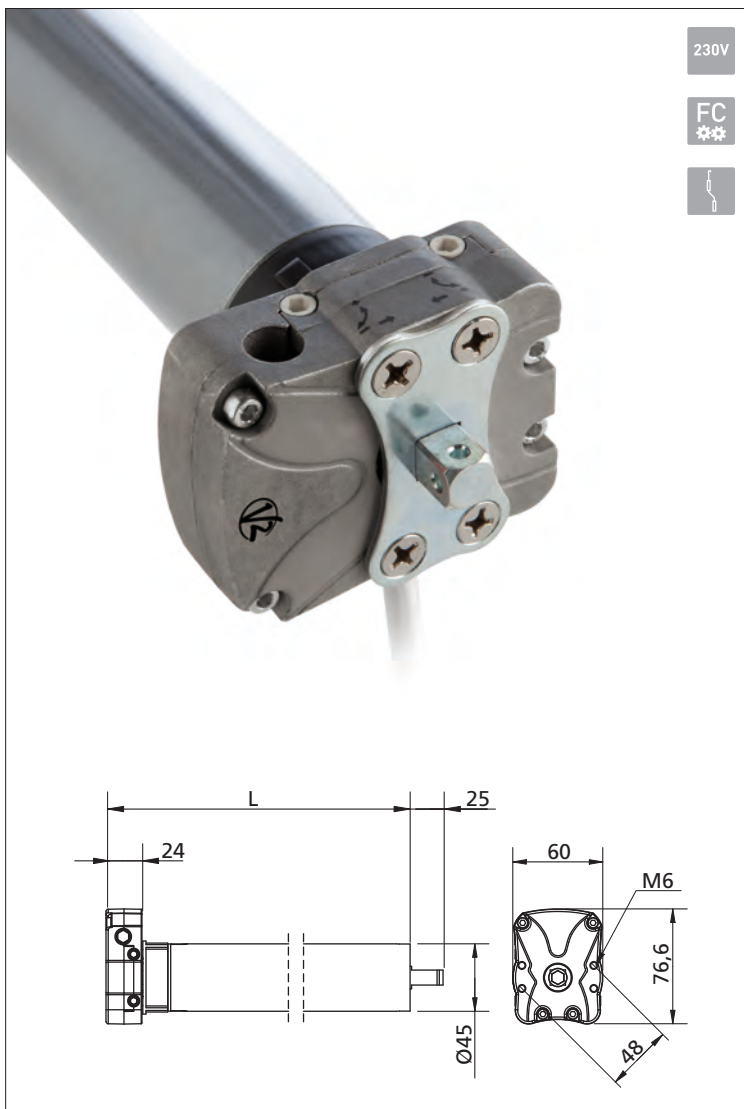
TUBULAR MOTORS

# lex-h

**Tubular motor Ø 45 mm with mechanical limit switch and manual override**

## PLUS

- Mechanical limit switch easy to adjust and reliable over time
- Manual override for manual operation of awnings and rolling shutters in case of power outage
- 2 meters of cable wired to the motor



## TECHNICAL FEATURES

MODEL	LEX-H20-230V	LEX-H30-230V	LEX-H40-230V	LEX-H50-230V
CODE	27B304	27B305	27B306	27B307
Maximum load* (Kg)	35	55	80	95
Torque (Nm)	20	30	40	50
Speed (rpm)	15	15	15	12
Power supply (Vac - Hz)	230 - 50	230 - 50	230 - 50	230 - 50
Maximum electric power (W)	145	191	198	205
Rated current (A)	0.64	0.83	0.86	0.89
Working time (min)	4	4	4	4
Limit switch range (n.)	22	22	22	22
Length - L - (mm)	520	590	590	590
Protection degree (IP)	44	44	44	44

\* Value calculated with roller Ø 50 mm

### CABLE LENGTH 2 m



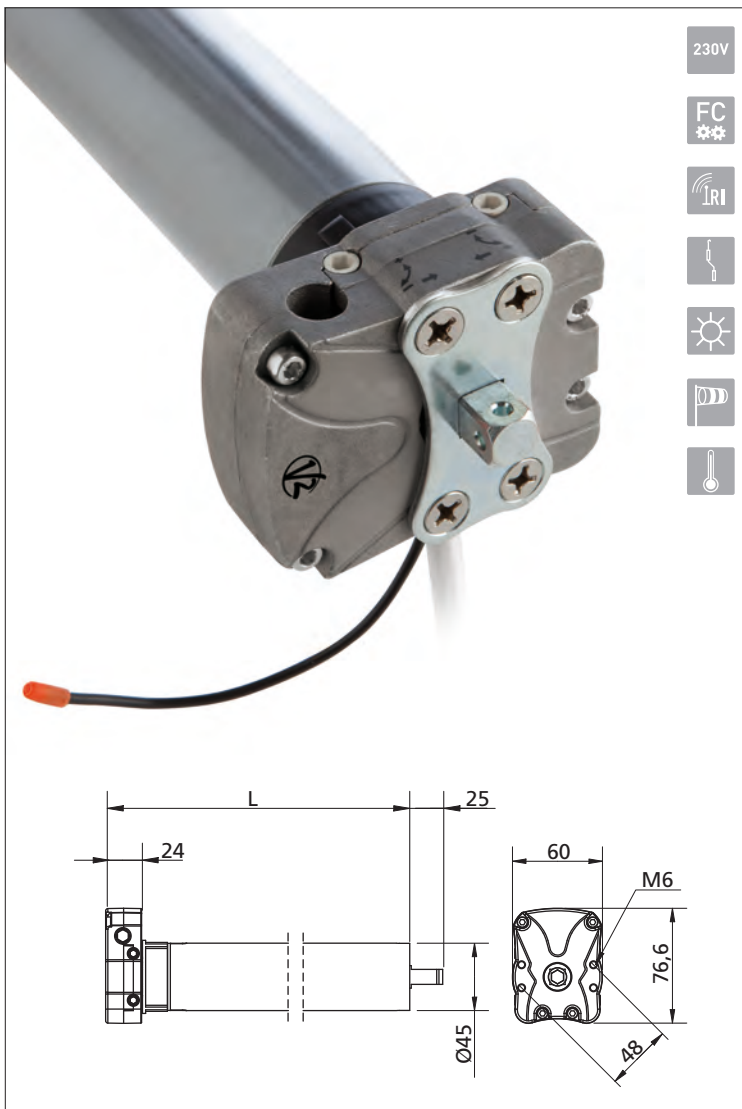


# lex-hrm

**Tubular motor Ø 45 mm with mechanical limit switch, built-in radio receiver (434.15 MHz) and manual override**

## PLUS

- Mechanical limit switch easy to adjust and reliable over time
- Manual override for manual operation of awnings and rolling shutters in case of power outage
- Automation control, storage of new transmitters, limit switch setting, and sensor threshold are radio controlled
- Possibility to connect an external button to control the automation



## TECHNICAL FEATURES

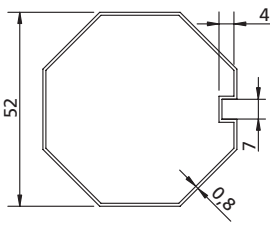
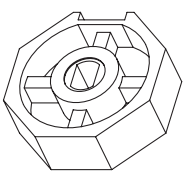
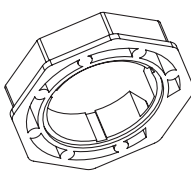
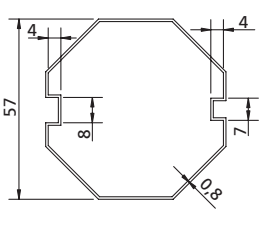
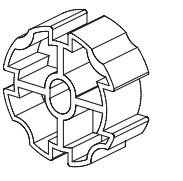
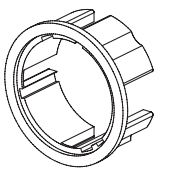
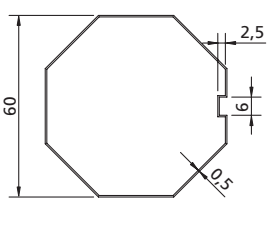
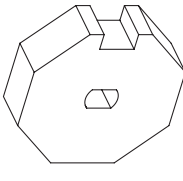
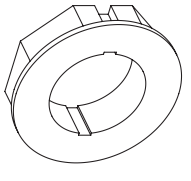
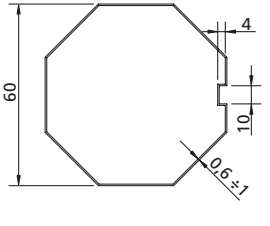
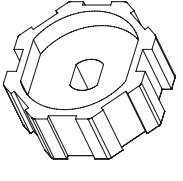
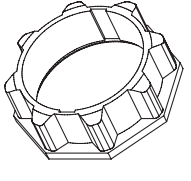
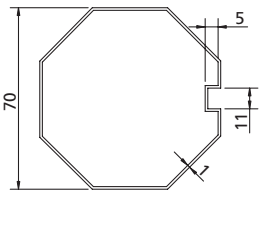
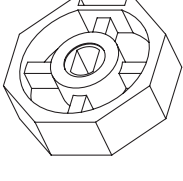
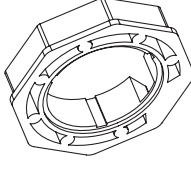
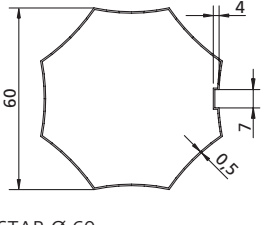
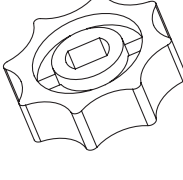
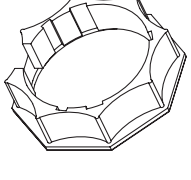
MODEL	LEX-HRM30-230V	LEX-HRM40-230V	LEX-HRM50-230V
CODE	27B308	27B309	27B310
Maximum load* (Kg)	55	80	95
Torque (Nm)	30	40	50
Speed (rpm)	15	15	12
Power supply (Vac - Hz)	230 - 50	230 - 50	230 - 50
Maximum electric power (W)	191	198	205
Rated current (A)	0.83	0.86	0.89
Working time (min)	4	4	4
Limit switch range (n.)	22	22	22
Frequency (MHz)	434.15	434.15	434.15
Length - L - (mm)	769	769	769
Protection degree (IP)	44	44	44

\* Value calculated with roller Ø 50 mm

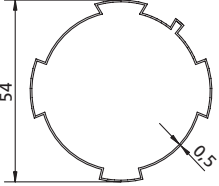
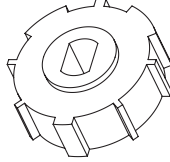
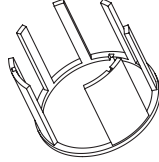
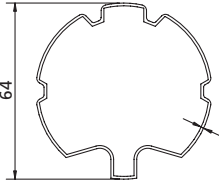
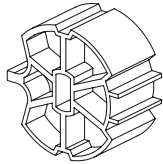
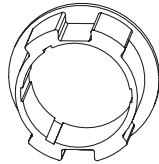
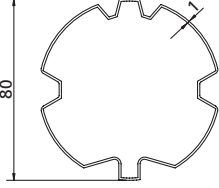
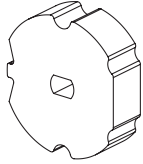
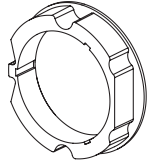
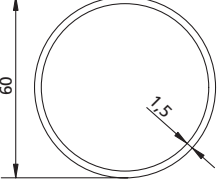
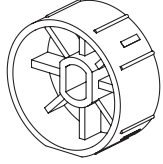
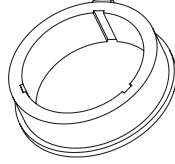
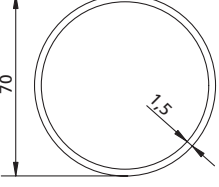
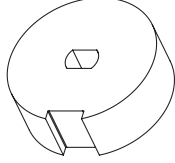
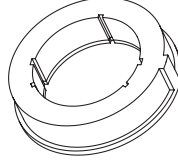
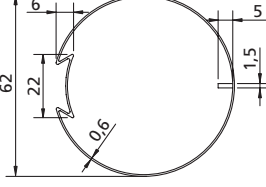

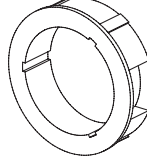
### CABLE LENGTH 2 m



**ACCESSORIES**

TUBE	PULLEY	CROWN
 <p>OCTAGONAL Ø 52</p>	 <p>COD. 162751 <b>PL</b></p>	 <p>COD. 162752 <b>PL</b></p>
 <p>OCTAGONAL Ø 57</p>	 <p>COD. 162866 <b>PL</b></p>	 <p>COD. 162867 <b>PL</b></p>
 <p>OCTAGONAL Ø 60 x 0,5</p>	 <p>COD. 163401 <b>PL</b></p>	 <p>COD. 163402 <b>PL</b></p>
 <p>OCTAGONAL Ø 60</p>	 <p>COD. 162801 <b>PL</b></p>	 <p>COD. 162802 <b>PL</b></p>
 <p>OCTAGONAL Ø 70</p>	 <p>COD. 162718 <b>MT</b></p>	 <p>COD. 162719 <b>PL</b></p>
 <p>STAR Ø 60</p>	 <p>COD. 162716 <b>MT</b></p>	 <p>COD. 162715 <b>PL</b></p>

**ACCESSORIES**

TUBE	PULLEY	CROWN
 <p>ZF54</p>	 <p>COD. 162808</p>	 <p>COD. 162809</p>
 <p>ZF64</p>	 <p>COD. 163424</p>	 <p>COD. 162891</p>
 <p>ZF80</p>	 <p>COD. 162898</p>	 <p>COD. 162899</p>
 <p>ROUND Ø 60 x 1,5</p>	 <p>COD. 162762</p>	 <p>COD. 162763</p>
 <p>ROUND Ø 70 x 1,5</p>	 <p>COD. 162798</p>	 <p>COD. 162799</p>
 <p>DEPRAT Ø 62</p>	 <p>COD. 162767</p>	 <p>COD. 162862</p>

# ACCESSORIES

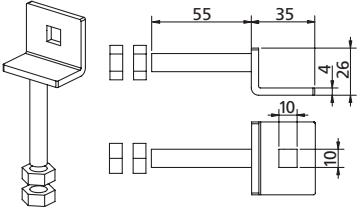
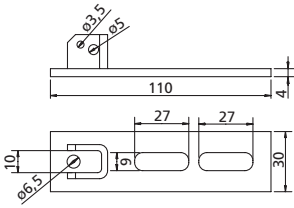
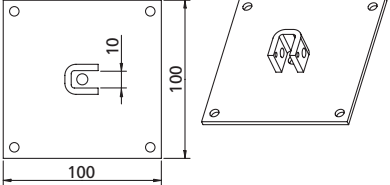
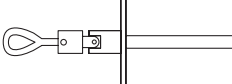
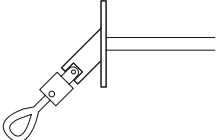
TUBE	PULLEY	CROWN
<p>DEPRAT Ø 89</p>	<p>COD. 162806</p> <p>MT</p>	<p>COD. 162807</p> <p>PL</p>
<p>ROLLERBAT NOTCH Ø 63</p>	<p>COD. 163413</p> <p>MT</p>	<p>COD. 163414</p> <p>PL</p>
<p>ROLLERBAT NOTCH Ø 70</p>	<p>COD. 163415</p> <p>MT</p>	<p>COD. 163416</p> <p>PL</p>
<p>NOTCH Ø 70</p>	<p>COD. 163404</p> <p>MT</p>	<p>COD. 162721</p> <p>PL</p>
<p>ROLLERBAT NOTCH Ø 78</p>	<p>COD. 163405</p> <p>MT</p>	<p>COD. 163406</p> <p>PL</p>
<p>FLAT NOTCH Ø 78</p>	<p>COD. 162758</p> <p>PL</p>	<p>COD. 162759</p> <p>PL</p>



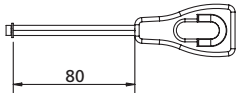
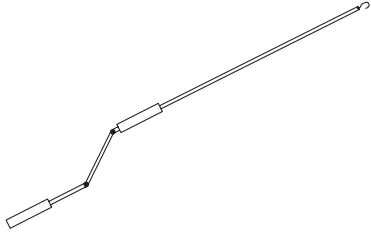


## ACCESSORIES

ACCESSORIES	DESCRIPTION	CODE
	<p>Rapid fixing bracket (max. 20 Nm) (for motor LEX, LEX-RM, LEX-FE, LEX-RFE)</p> <p>PL</p>	<p><b>163418</b></p>
	<p>Rapid fixing bracket (max. 50 Nm) (for motor LEX, LEX-RM, LEX-FE, LEX-RFE)</p> <p>MT</p>	<p><b>163419</b></p>
	<p>Square pin bracket (for motor LEX, LEX-RM, LEX-FE, LEX-RFE)</p> <p>MT</p>	<p><b>163417</b></p>
	<p>Wall bearing 10 x 10 mm (max. 30 Nm)</p> <p>MT</p>	<p><b>162728</b></p>
	<p>Wall bearing 10 x 10 mm (max. 30 Nm)</p> <p>MT</p>	<p><b>162847</b></p>
	<p>Wall bearing 10 x 10 mm (max. 50 Nm)</p> <p>MT</p>	<p><b>162829</b></p>

# ACCESSORIES

ACCESSORIES	DESCRIPTION	CODE
	<p>Vertical adjustable bearing 10 x 10 mm</p> <p><b>MT</b></p>	<p><b>163433</b></p>
	<p>Vertical adjustable bearing with slot 10 x 10 mm</p> <p><b>MT</b></p>	<p><b>162822</b></p>
	<p>Square plate bearing 10 x 10 mm</p> <p><b>MT</b></p>	<p><b>162764</b></p>
	<p>45° joint hexagon 7</p> <p><b>MT</b></p>	<p><b>162823</b></p>
	<p>90° joint hexagon 7</p> <p><b>MT</b></p>	<p><b>162824</b></p>

## ACCESSORIES

ACCESSORIES	DESCRIPTION	CODE
	<p>Eyelet 80 mm hexagon 7</p> <p><b>MT</b></p>	<p><b>162825</b></p>
	<p>Jointed bar (1800 mm)</p> <p><b>MT</b></p>	<p><b>162736</b></p>
	<p>Box with double self-locking push button</p>	<p><b>162886</b></p>
	<p>Box with double spring release push button</p>	<p><b>162887</b></p>

TUBULAR MOTORS

# roll

**Tubular motor Ø 59 mm with mechanical limit switch**



230V

FC

## PLUS

- Mechanical limit switch easy to adjust and reliable over time
- Compact head for easy installation
- 2 meters of cable wired to the motor

## TECHNICAL FEATURES

MODEL	ROLL80-230V	ROLL100-230V	ROLL140-230V
CODE	27C035	27C036	27C039
Maximum load* (Kg)	125	165	230
Torque (Nm)	80	100	140
Speed (rpm)	15	12	7
Power supply (Vac - Hz)	230 - 50	230 - 50	230 - 50
Maximum electric power (W)	330	345	385
Rated current (A)	1.43	1.54	1,54
Working time (min)	4	4	4
Limit switch range (n.)	22	22	22
Length - L - (mm)	620	620	620
Protection degree (IP)	44	44	44

\* Value calculated with roller Ø 70 mm

### CABLE LENGTH 2 m



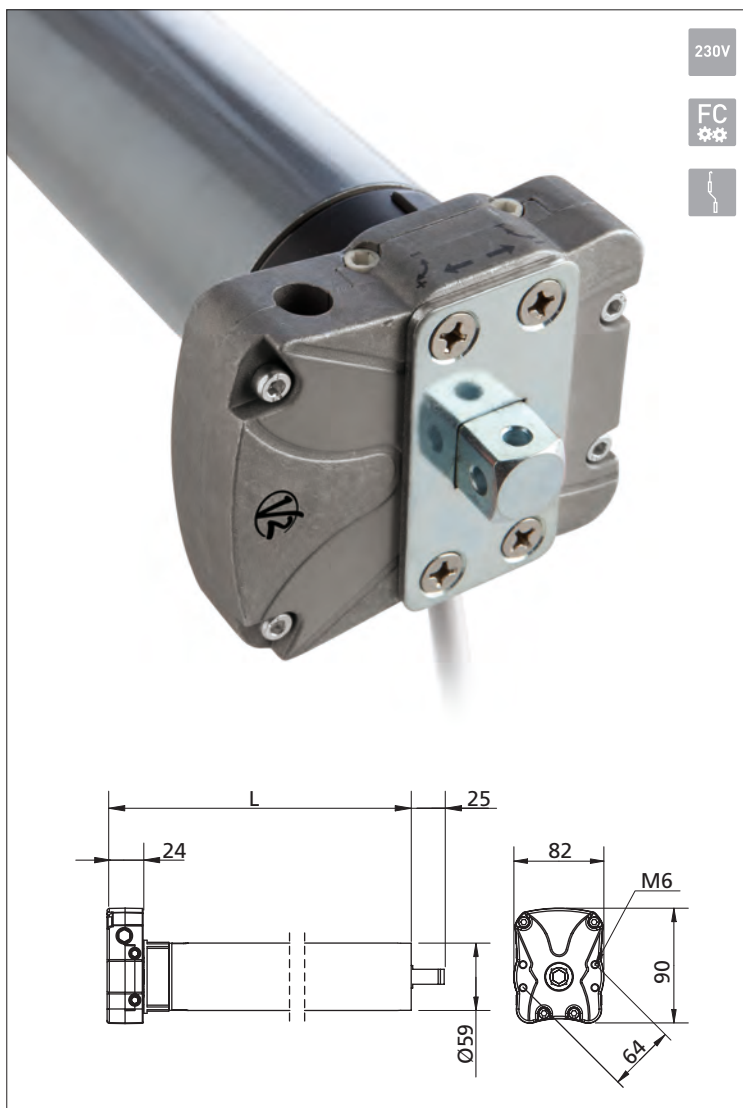


# hand-roll

**Tubular motor Ø 59 mm with mechanical limit switch and manual override**

## PLUS

- Mechanical limit switch easy to adjust and reliable over time
- Manual override for manual operation of awnings and rolling shutters in case of power outage
- 2 meters of cable wired to the motor



## TECHNICAL FEATURES

MODEL	HAND-ROLL80-230V	HAND-ROLL100-230V	HAND-ROLL140-230V
CODE	27C037	27C038	27C040
Maximum load* (Kg)	125	165	230
Torque (Nm)	80	100	140
Speed (rpm)	15	12	7
Power supply (Vac - Hz)	230 - 50	230 - 50	230 - 50
Maximum electric power (W)	330	345	385
Rated current (A)	1.43	1.54	1,54
Working time (min)	4	4	4
Limit switch range (n.)	22	22	22
Length - L - (mm)	620	620	620
Protection degree (IP)	44	44	44

\* Value calculated with roller Ø 70 mm

### CABLE LENGTH 2 m



# ACCESSORIES

TUBE	PULLEY	CROWN
<p>OCTAGONAL Ø 70</p>	<p>COD. 162726</p> <p>MT</p>	<p>COD. 162727</p> <p>PL</p>
<p>ROUND Ø 70</p>	<p>COD. 162864</p> <p>PL</p>	<p>COD. 162865</p> <p>PL</p>
<p>ROUND Ø 80</p>	<p>COD. 162746</p> <p>PL</p>	<p>COD. 162747</p> <p>PL</p>
<p>ROUND Ø 100 x 3,5</p>	<p>COD. 162859</p> <p>MT</p>	<p>COD. 162858</p> <p>PL</p>
<p>ROUND Ø 103</p>	<p>COD. 162775</p> <p>MT</p>	<p>COD. 162774</p> <p>PL</p>

# ACCESSORIES

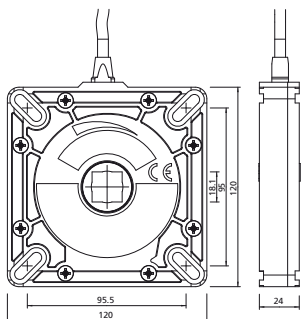
TUBE	PULLEY	CROWN
<p>FLAT NOTCH Ø 78</p>	<p><b>COD. 162861</b></p> <p>MT</p>	<p><b>COD. 162860</b></p> <p>PL</p>
<p>NOTCH Ø 78 BAT</p>	<p><b>COD. 162784</b></p> <p>PL</p>	<p><b>COD. 162785</b></p> <p>PL</p>
<p>NOTCH Ø 85</p>	<p><b>COD. 162894</b></p> <p>MT</p>	<p><b>COD. 162893</b></p> <p>PL</p>
<p>DEPRAT Ø 89</p>	<p><b>COD. 163407</b></p> <p>PL</p>	<p><b>COD. 163408</b></p> <p>PL</p>

# ACCESSORIES

ACCESSORIES	DESCRIPTION	CODE
	<p>Wall bearing 16 x 16 mm</p> <p><b>MT</b></p>	<p><b>162731</b></p>
	<p>Wall bearing 16 x 16 mm</p> <p><b>MT</b></p>	<p><b>162819</b></p>
	<p>Square plate bearing 16 x 16 mm</p> <p><b>MT</b></p>	<p><b>162734</b></p>
	<p>Jointed bar (1800 mm)</p> <p><b>MT</b></p>	<p><b>162736</b></p>
	<p>Box with double self-locking push button</p>	<p><b>162886</b></p>
	<p>Box with double spring release push button</p>	<p><b>162887</b></p>

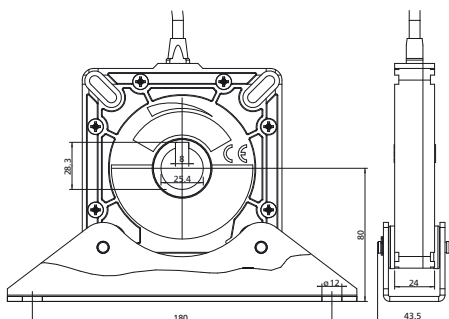
# ACCESSORIES

ACCESSORIES	DESCRIPTION	CODE
-------------	-------------	------



Parachute 70 Nm with 7 metres of cable **163439**

Parachute 140 Nm with 7 metres of cable **163440**

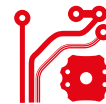


Parachute 140 Nm with 7 metres of cable Support included **163441**

CODE	HEIGHT	TUBE DIAMETER														
		Ø60 x 2,6			Ø70 x 2,9			Ø76,1 x 2,9			Ø82,5 x 3,2			Ø89,9 x 3,2		
		WIDTH														
		1,5	2	2,5	1,5	2	2,5	1,5	2	2,5	1,5	2	2,5	1,5	2	2,5
163439	1,5	151	107	95	141	137	136	129	129	129	120	120	120			
	2	134	107	95	125	125	125	119	119	118	112	112	112			
	2,5	127	107	95	120	120	118	119	119	118	112	112	112			
163440	1,5										286	222	222	264	263	263
	2										286	222	222	252	252	252
	2,5										286	222	222	252	252	252
163441	1,5											260	170		250	205
	2											220	170		211	205
	2,5											190	170		182	182

CODE	HEIGHT	TUBE DIAMETER														
		Ø101,6 x 3,6			Ø108 x 306			Ø114,3 x 3,6			Ø121 x 4			Ø127 x 4		
		WIDTH														
		2,5	4	6	2,5	4	6	2,5	4	6	2,5	4	6	2,5	4	6
163439	1,5															
	2															
	2,5															
163440	1,5	207			214			202			189					
	2	207			214			202			189					
	2,5	207			214			201			189					
163441	1,5	223	218	140	210	208	160	198	195	181	186	183	182	176	171	170
	2	199	198	140	189	188	160	184	184	180	175	172	170	167	165	162
	2,5	175	174	140	169	168	160	166	166	163	160	157	157	153	151	148





# proteo

434.15 MHz transmitter for awnings and shutters



**proteo1**  
1 channel transmitter, ON/OFF sun button, button for the management of a courtesy light



**proteo4**  
4-channel transmitter, ON/OFF sun button and courtesy light



**proteo6**  
6-channel transmitter, ON/OFF sun function, group function



**proteo12**  
12-channel transmitter, ON/OFF sun function, group function



**proteo12-d**  
12-channel transmitter with display, event programming and automatic operation

## PLUS

- Available in models with 1, 4, 6, 12 channels to control one or more automated systems simultaneously
- Multiple group function to program up to 8 automation groups
- Possibility to activate/deactivate the sun sensor on remote control units and motors with built-in control unit
- Button dedicated to controlling a courtesy light via the control unit CU5 or DEV-R2 module (only for PROTEO1 and PROTEO4 models)
- Built-in dip-switch to program the functions of SCREEN control units and tubular motors with built-in control unit
- Convenient wall mount supplied
- Model with display (PROTEO12-D) with advanced features:
  - possibility of programming up to 5 events per day
  - automatic or manual operating mode



## TECHNICAL FEATURES

MODEL	PROTEO1	PROTEO4	PROTEO6	PROTEO12	PROTEO12-D
CODE	10T040	10T041	10T042	10T043	10T044
Channels	1	4	6	12	12
Frequency (MHz)	434.15				
Range in open field (m)	300				
Power supply (battery type)	1 x Lithium 3V (CR2032)				
Max. absorption (mA)	< 15				
Dimensions (mm)	160 x 45 x 14				



# artemis

Wall-mounted 434.15 MHz transmitter for awnings and shutters



**artemis1:** 1-channel wall-mounted transmitter

**artemis2:** 2-channel wall-mounted transmitter

**artemis6:** 6-channel wall-mounted transmitter, ON/OFF sun button

## PLUS

- ARTEMIS series transmitters use simple table transmitters or can be assembled with two V2 plates available in the various colours below.
- The plates are equipped with an internal magnet to guarantee transmitter coupling.
- Available in 1, 2, 6 channel models to control one or more automations simultaneously.
- Possibility of enabling / disabling the sun sensor on the remote control units and on the motors of the integrated control unit (ARTEMIS6)

## ACCESSORIES



<b>163444</b>	<b>163445</b>	<b>163446</b>	<b>163447</b>	<b>163448</b>
---------------	---------------	---------------	---------------	---------------

## TECHNICAL FEATURES

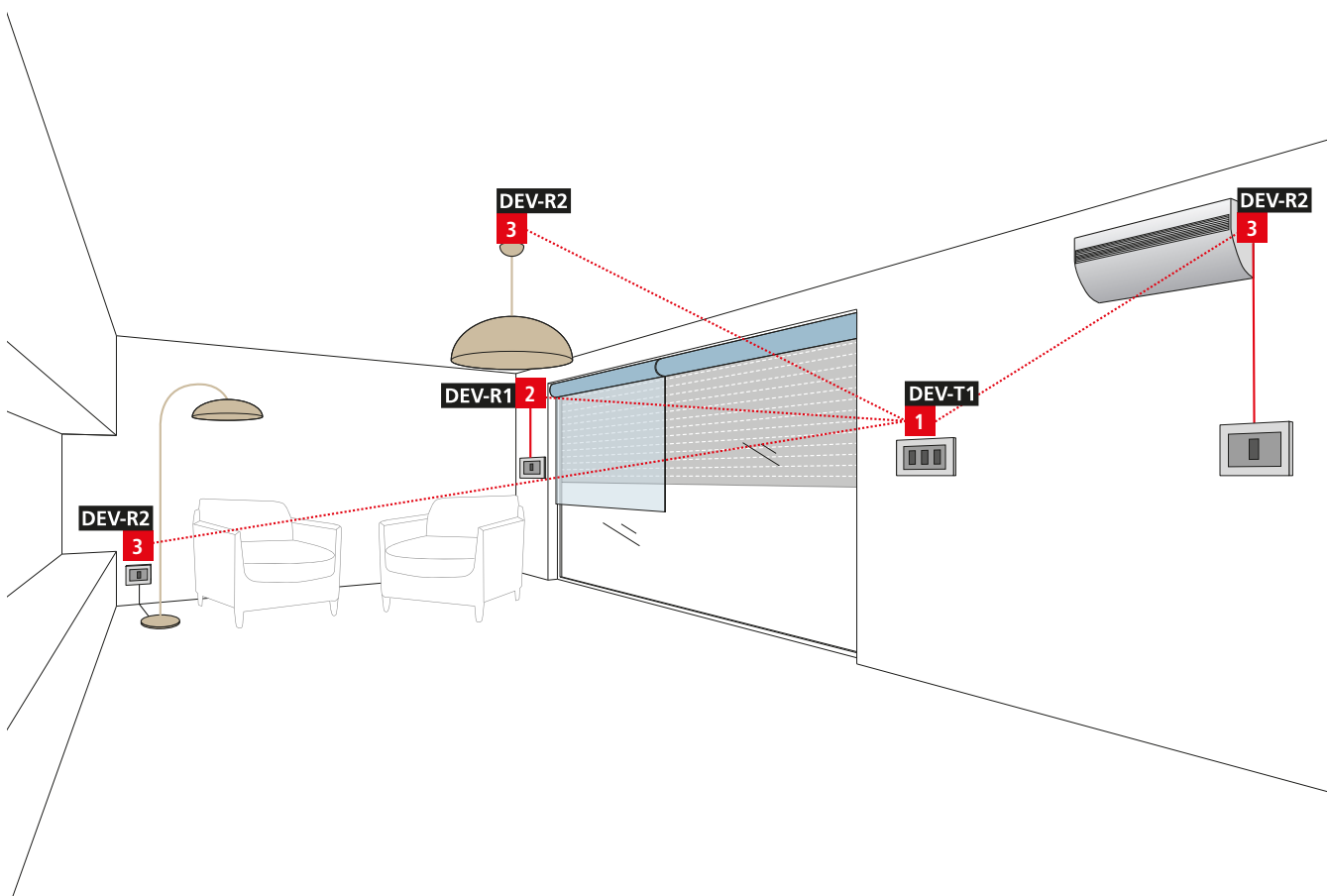
MODEL	ARETMIS1	ARETMIS2	ARETMIS6
CODE	10K025	10K026	10K027
Channels	1	2	6
Frequency (MHz)	434.15		
Range in open field (m)	300		
Power supply (battery type)	1 x Lithium 3V (CR2032)		
Max. absorption (mA)	< 25		
Dimensions (mm)	49 x 53 x 13		



# ELECTRONICS FOR TUBULAR MOTORS

# dev

**Built-in miniature control modules**



230V  
on/off



230V  
IRI  
Sun  
Flag  
Thermometer



230V  
IRI

**dev-t1:** built-in miniature transmitter powered from the mains

**dev-r1:** built-in miniature receiver for controlling a single-phase asynchronous motor

**dev-r2:** built-in miniature receiver for controlling a load up to 500W

## PLUS

- Ideal for controlling devices not directly accessible via cable
- Built-in installation inside of regular electrical boxes
- Power supply with extended range (85 ÷ 260 Vac - 50/60 Hz)
- Very low power consumption in stand-by

### dev-t1

- 4 wired inputs for N.O. buttons
- 4 channels for separate management of 4 devices

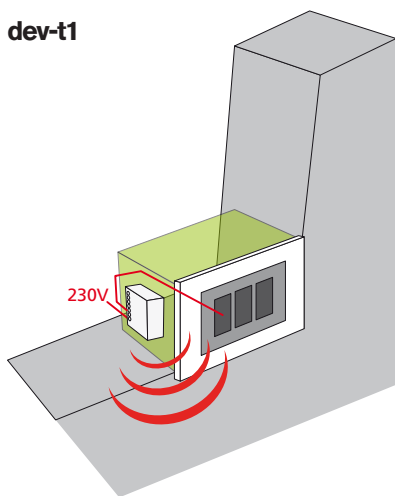
### dev-r1

- 434.15 MHz radio receiver with integrated antenna
- Compatible with PROTEO, ARTEMIS and DEV-T1 series transmitters
- Memory able to handle up to 30 radio channels
- Two wired inputs: up and down
- Integrated button for programming operations
- Wireless programming via a stored remote control
- Wireless management of HURRICANE-RS and TYPHOON series weather sensors

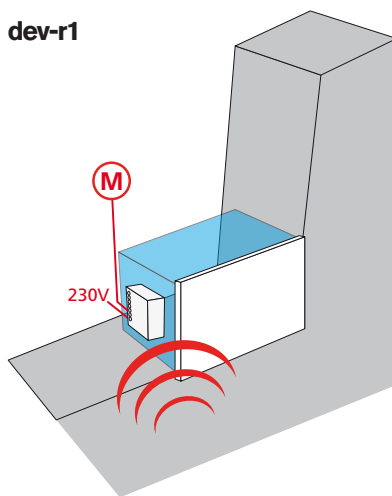
### dev-r2

- 434.15 MHz radio receiver with integrated antenna
- Compatible with PROTEO, ARTEMIS and DEV-T1 series transmitters
- Memory able to handle up to 30 radio channels
- Two wired inputs
- Programming via integrated push button or PROTEO transmitters
- Wireless programming via a stored remote control
- Relay output with no-voltage contacts for loads of up to 500W

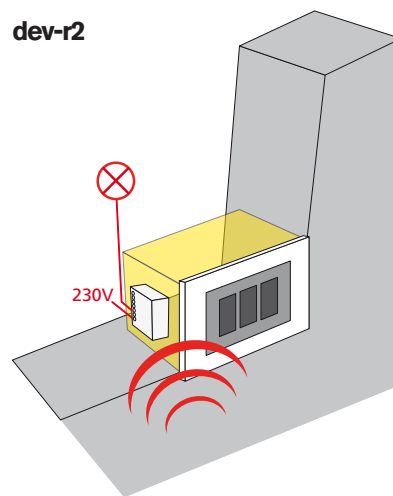
dev-t1



dev-r1



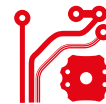
dev-r2



## TECHNICAL FEATURES

MODEL	DEV-T1	DEV-R1	DEV-R2
CODE	10K024	12E107	11D023
Power supply (Vac - Hz)	85 - 260 / 50 - 60	85 - 260 / 50 - 60	85 - 260 / 50 - 60
Frequency (MHz)	434.15	434.15	434.15
Absorption in stand-by (mA)	0,15	0,25	0,25
Working temperature (°C)	-20 ÷ +60	-20 ÷ +60	-20 ÷ +60
Maximum operating time (s)	120	120	-
Dimensions (mm)	20 x 34 x 41	20 x 34 x 41	20 x 34 x 41





# cu3 - cu4 - cu5

External control unit for the automation of awnings or rolling shutters



230V



## PLUS

- Independent inputs for UP/DOWN push buttons or OPEN/STOP/CLOSE/STOP push button
  - Input for MISTRAL/HURRICANE sensors
  - WIND, SUN, TEMPERATURE sensor levels adjustable by transmitter or directly on the control unit
  - Management of closure input with control arriving from burglar alarm control unit
  - Plug-in radio receiver (optional) at the frequency of 434.15 MHz
  - Possibility to store up to 30 transmitters
- cu3:** Output for 1 motor
- cu4:** Output for 2 motors, independent or synchronized on the same axis
- cu5:** Output for 1 motor  
Output for light control, with power up to 500 W

## TECHNICAL FEATURES

MODEL	CU3	CU4	CU5
CODE	12E058	12E059	12E060
Power supply (Vac - Hz)	230 - 50	230 - 50	230 - 50
Maximum load (W)	500	2 x 500	500 + 500 (motor + light)
Protection degree (IP)	55	55	55
Working temperature (°C)	-20 ÷ +60	-20 ÷ +60	-20 ÷ +60
Dimensions (mm)	142 x 120 x 42	142 x 120 x 42	142 x 120 x 42



### 11B037

434.15 MHz plug-in receiver



# cu1

**External control unit for the automation of awnings or rolling shutters.  
Built-in receiver  
(434.15 MHz)**



230V



## PLUS

- OPEN/STOP/CLOSE/STOP button input
- Input for MISTRAL/HURRICANE sensors
- WIND, SUN, TEMPERATURE sensors adjustable by transmitter
- Built-in 434.15 MHz receiver
- Possibility to store up to 30 transmitters

## TECHNICAL FEATURES

MODEL	CU1
CODE	12E033
Power supply (Vac - Hz)	230 - 50
Maximum load (W)	700
Protection degree (IP)	55
Working temperature (°C)	-20 ÷ +60
Dimensions (mm)	127 x 41 x 24



## ELECTRONICS FOR TUBULAR MOTORS

# prg2

230V

**Expansion board for 2  
motors (single control)**



### TECHNICAL FEATURES

MODEL	PRG2
<b>CODE</b>	<b>12G013</b>
Power supply (Vac - Hz)	230 - 50
Maximum load (W)	2 x 1500
Protection degree (IP)	55
Working temperature (°C)	-20 ÷ +60
Dimensions (mm)	127 x 41 x 24

# prg3

230V

**Expansion board for 3  
motors (multiple control)**



### TECHNICAL FEATURES

MODEL	PRG3
<b>CODE</b>	<b>12G008</b>
Power supply (Vac - Hz)	230 - 50
Maximum load (W)	3 x 1000
Protection degree (IP)	55
Working temperature (°C)	-20 ÷ +60
Dimensions (mm)	113 x 113 x 57



# syroco-rs

**Anemometer vibration  
sensor via radio  
(434.15 MHz)**



## TECHNICAL FEATURES

MODEL	SYROCO-RS
CODE	18A026
Power supply (Vac - Hz)	2 x alkaline AAA
Frequency (MHz)	434.15
Protection degree (IP)	55
Working temperature (°C)	-20 ÷ +60
Dimensions (mm)	154 x 32 x 25



# mistral

**Anemometer  
(cable signal)**



230V

## TECHNICAL FEATURES

MODEL	MISTRAL
CODE	18A009
Power supply (Vac - Hz)	230 - 50
Protection degree (IP)	44
Working temperature (°C)	-20 ÷ +60

# hurricane

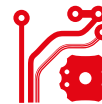
**Anemometer with sun and  
temperature sensor  
(cable signal)**



230V

## TECHNICAL FEATURES

MODEL	HURRICANE
CODE	18A010
Power supply (Vac - Hz)	230 - 50
Absorbed power (W)	3,5
Protection degree (IP)	44
Working temperature (°C)	-20 ÷ +60



# hurricane-rs

Anemometer with sun  
and temperature sensor  
(WIRELESS)



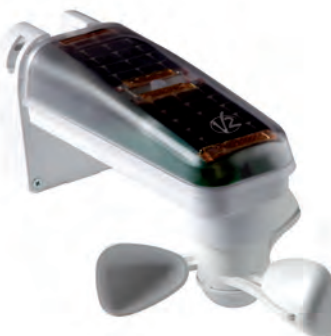
230V

## TECHNICAL FEATURES

MODEL	HURRICANE-RS
CODE	18A011
Power supply (Vac - Hz)	230 - 50
Absorbed power (W)	3,5
Frequency (MHz)	434.15
Protection degree (IP)	44
Working temperature (°C)	-20 ÷ +60

# typhoon

Anemometer with sun and  
temperature sensor  
(WIRELESS and power  
supply by solar cells)




















## TECHNICAL FEATURES

MODEL	TYPHOON
CODE	18A015
Frequency (MHz)	434.15
Protection degree (IP)	44
Working temperature (°C)	-20 ÷ +60



## ICONS

	Power supply
	Solar powered
	Mechanical limit switch
	Electronic limit switch
	Encoder
	Manual override
	Built-in receiver
	Connector for modular receiver
	Sun sensor on/off
	Courtesy light on/off
	Multiple groups
	Automatic or manual operation
	Sun sensor input
	Wind sensor input
	Temperature sensor input
	Plastic
	Metal



[info@v2home.com](mailto:info@v2home.com) - [www.v2home.com](http://www.v2home.com)



**domotics & love**